

BlueCore[®]5-Multimedia Plug-n-Go[™] Industrial

Features

- Fully Qualified Bluetooth v2.1 + EDR specification System
- 64MIPS Kalimba DSP Co-processor
- 16-bit Internal Stereo CODEC, 95dB SNR for DAC
- Low-power 1.5V Operation, 1.8V to 3.6V I/O
- Integrated 1.5V and 1.8V Linear Regulators
- Integrated Switched-mode Regulator
- Integrated Battery Charger
- USB, I²C, and UART with Dual Port Bypass Mode to 4Mbps
- 16-Mbit of Internal Flash Memory
- Multi-Configurable I²S, PCM or SPDIF Interface
- Enhanced Audibility and Noise Cancellation
- 10 x 10 x 1.6mm, 105-ball, 0.8mm pitch LFBGA
- Support for IEEE 802.11 Coexistence
- RoHS Compliant
- RF Plug-n-Go Package

Single Chip Bluetooth[®] v2.1 + EDR System

Advance Information

BC57G687C-INN-E4

Issue 4

General Description

BlueCore[®]5-Multimedia Plug-n-Go[™] Industrial is a single-chip radio and baseband IC for Bluetooth v2.1 + EDR specification systems.

BlueCore5-Multimedia Plug-n-Go contains 16-Mbit, 70ns internal Flash memory, which makes it one of the most powerful and flexible Bluetooth audio solutions on the market today. When used with CSR Bluetooth stack, it provides a fully compliant system to Bluetooth v2.1 + EDR specification for data and voice.

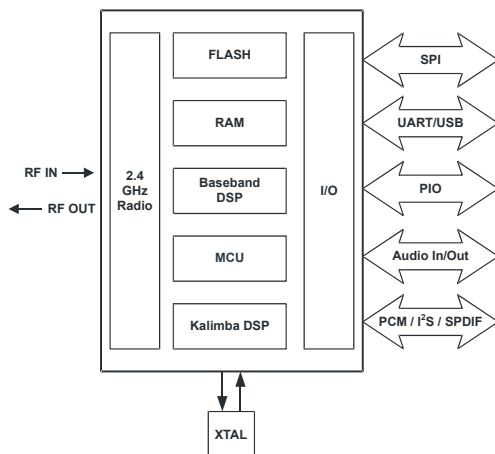


Figure: System Architecture

Applications

- Bluetooth-enabled Automotive Wireless Gateways
- High-quality Stereo Wireless Headsets
- High-quality Mono Headsets
- Hands-free Car Kits
- Wireless Speakers
- VoIP Handsets
- Analogue and USB Multimedia Dongles

BlueCore5-Multimedia Plug-n-Go contains the Kalimba DSP co-processor with double the MIPS and double the memory of BlueCore3-Multimedia, supporting enhanced audio applications.

BlueCore5-Multimedia Plug-n-Go is designed to reduce the number of external components required which ensures production costs are minimised.

The device incorporates auto-calibration and *built-in self-test* (BIST) routines to simplify development, type approval and production test.

To improve the performance of both Bluetooth and IEEE 802.11b/g co-located systems a wide range of co-existence features are available including a variety of hardware signalling: basic activity signalling, Intel WCS activity and channel signalling.

Document History

| Revision | Date | Change Reason |
|----------|-----------|---|
| Issue 1 | 07 FEB 07 | Original Publication of document. |
| Issue 2 | 02 OCT 07 | <p>Stereo CODEC updates. Added Tape and Reel information references.</p> <p>Modifications to Electrical Characteristics. RF Characterisation transferred in to CSR document BlueCore5-Multimedia Plug-n-Go Performance Specification.</p> <p>RX_N and RX_P ports removed. Balun pin name changes.</p> <p>Updated example application schematic.</p> <p>General update of document in-line with modifications to <i>BlueCore5-Multimedia External Data Sheet (Issue 8)</i>.</p> <p>Updated CSR Software Stacks to include Bluetooth Specification v2.1 + EDR options.</p> <p>Solder profile now references external document</p> |
| Issue 3 | 03 JUN 08 | <p>Changes to the schematic.</p> <p>Changes to RF_BIAS</p> <p>Operating Temperature change</p> <p>General update of document</p> |
| Issue 4 | 05 JUN 08 | <p>Changed footer release level information</p> <p>Send feedback on this document to Comments@csr.com</p> |

Status Information

The status of this Data Sheet is **Advance Information**.

CSR Product Data Sheets progress according to the following format:

Advance Information

Information for designers concerning CSR product in development. All values specified are the target values of the design. Minimum and maximum values specified are only given as guidance to the final specification limits and must not be considered as the final values.

All detailed specifications including pinouts and electrical specifications may be changed by CSR without notice.

Pre-Production Information

Pinout and mechanical dimension specifications finalised. All values specified are the target values of the design. Minimum and maximum values specified are only given as guidance to the final specification limits and must not be considered as the final values.

All electrical specifications may be changed by CSR without notice.

Production Information

Final Data Sheet including the guaranteed minimum and maximum limits for the electrical specifications.

Production Data Sheets supersede all previous document versions.

ESD Precautions

BlueCore5-Multimedia Plug-n-Go is classified as a JESD22-A114 class 2 product. Apply ESD static handling precautions during manufacturing.

Life Support Policy and Use in Safety-Critical Applications

CSR's products are not authorised for use in life-support or safety-critical applications. Use in such applications is done at the sole discretion of the customer. CSR will not warrant the use of its devices in such applications.

RoHS Compliance

BlueCore5-Multimedia Plug-n-Go devices meet the requirements of Directive 2002/95/EC of the European Parliament and of the Council on the Restriction of Hazardous Substance (RoHS).

Trademarks, Patents and Licenses

Unless otherwise stated, words and logos marked with [™] or [®] are trademarks registered or owned by CSR plc or its affiliates. Bluetooth[®] and the Bluetooth logos are trademarks owned by Bluetooth SIG, Inc. and licensed to CSR. Other products, services and names used in this document may have been trademarked by their respective owners.

The publication of this information does not imply that any license is granted under any patent or other rights owned by CSR plc.

CSR reserves the right to make technical changes to its products as part of its development programme.

While every care has been taken to ensure the accuracy of the contents of this document, CSR cannot accept responsibility for any errors.

Contents

| | | |
|----------|--|-----------|
| 1 | Device Details | 9 |
| 2 | Device Diagram | 10 |
| 3 | Package Information | 11 |
| 3.1 | Pinout Diagram | 11 |
| 3.2 | BlueCore5-Multimedia Plug-n-Go Device Terminal Functions | 12 |
| 3.3 | Package Dimensions | 18 |
| 3.4 | PCB Design and Assembly Considerations | 19 |
| 3.4.1 | Thermal Resistance | 19 |
| 3.5 | Typical Solder Reflow Profile | 19 |
| 4 | Bluetooth Modem | 20 |
| 4.1 | RF Plug-n-Go | 20 |
| 4.2 | RF Receiver | 20 |
| 4.2.1 | Low Noise Amplifier | 20 |
| 4.2.2 | RSSI Analogue to Digital Converter | 20 |
| 4.3 | RF Transmitter | 20 |
| 4.3.1 | IQ Modulator | 20 |
| 4.3.2 | Power Amplifier | 20 |
| 4.4 | Bluetooth Radio Synthesiser | 21 |
| 4.5 | Baseband | 21 |
| 4.5.1 | Burst Mode Controller | 21 |
| 4.5.2 | Physical Layer Hardware Engine | 21 |
| 4.6 | Basic Rate Modem | 21 |
| 4.7 | Enhanced Data Rate Modem | 21 |
| 4.7.1 | Enhanced Data Rate $\pi/4$ DQPSK | 22 |
| 4.7.2 | Enhanced Data Rate 8DPSK | 23 |
| 5 | Clock Generation | 25 |
| 5.1 | Clock Architecture | 25 |
| 5.2 | Input Frequencies and PS Key Settings | 25 |
| 5.3 | External Reference Clock | 26 |
| 5.3.1 | Input (XTAL_IN) | 26 |
| 5.3.2 | XTAL_IN Impedance in External Mode | 26 |
| 5.3.3 | Clock Start-up Delay | 26 |
| 5.3.4 | Clock Timing Accuracy | 26 |
| 5.4 | Crystal Oscillator (XTAL_IN, XTAL_OUT) | 27 |
| 5.4.1 | Load Capacitance | 28 |
| 5.4.2 | Frequency Trim | 28 |
| 5.4.3 | Transconductance Driver Model | 29 |
| 5.4.4 | Negative Resistance Model | 29 |
| 5.4.5 | Crystal PS Key Settings | 29 |
| 6 | Bluetooth Stack Microcontroller | 30 |
| 6.1 | TCXO Enable OR Function | 30 |
| 6.2 | Programmable I/O (PIO) Parallel Ports | 30 |
| 6.3 | WLAN Coexistence Interface | 31 |
| 7 | Kalimba DSP | 32 |
| 8 | Memory Interface and Management | 33 |
| 8.1 | Memory Management Unit | 33 |
| 8.2 | System RAM | 33 |
| 8.3 | Kalimba DSP RAM | 33 |
| 8.4 | Internal Flash Memory (16-Mbit) | 33 |
| 8.4.1 | Flash Specification | 33 |

| | | |
|-----------|--|-----------|
| 9 | Serial Interfaces | 34 |
| 9.1 | UART Interface | 34 |
| 9.1.1 | UART Configuration While Reset is Active | 35 |
| 9.1.2 | UART Bypass Mode | 36 |
| 9.1.3 | Current Consumption in UART Bypass Mode | 36 |
| 9.2 | USB Interface | 36 |
| 9.2.1 | USB Data Connections | 36 |
| 9.2.2 | USB Pull-up Resistor | 37 |
| 9.2.3 | USB Power Supply | 37 |
| 9.2.4 | Self-powered Mode | 37 |
| 9.2.5 | Bus-powered Mode | 38 |
| 9.2.6 | Suspend Current | 38 |
| 9.2.7 | Detach and Wake_Up Signalling | 39 |
| 9.2.8 | USB Driver | 39 |
| 9.2.9 | USB 2.0 Compliance | 39 |
| 9.3 | Serial Peripheral Interface | 39 |
| 9.3.1 | Instruction Cycle | 40 |
| 9.3.2 | Writing to the Device | 40 |
| 9.3.3 | Reading from the Device | 40 |
| 9.3.4 | Multi-slave Operation | 41 |
| 9.4 | I ² C Interface | 41 |
| 9.4.1 | Software I ² C Interface | 41 |
| 9.4.2 | Bit-serialiser Interface | 41 |
| 10 | Audio Interface | 42 |
| 10.1 | Audio Input and Output | 42 |
| 10.2 | Stereo Audio CODEC Interface | 43 |
| 10.2.1 | Stereo Audio CODEC Block Diagram | 43 |
| 10.2.2 | Stereo CODEC Set-up | 43 |
| 10.2.3 | ADC | 44 |
| 10.2.4 | ADC Sample Rate Selection | 44 |
| 10.2.5 | ADC Digital Gain | 44 |
| 10.2.6 | ADC Analogue Gain | 45 |
| 10.2.7 | DAC | 45 |
| 10.2.8 | DAC Sample Rate Selection | 45 |
| 10.2.9 | DAC Digital Gain | 45 |
| 10.2.10 | DAC Analogue Gain | 47 |
| 10.2.11 | Microphone Input | 48 |
| 10.2.12 | Line Input | 50 |
| 10.2.13 | Output Stage | 52 |
| 10.2.14 | Mono Operation | 52 |
| 10.2.15 | Side Tone | 52 |
| 10.2.16 | Integrated Digital Filter | 52 |
| 10.3 | PCM Interface | 53 |
| 10.3.1 | PCM Interface Master/Slave | 54 |
| 10.3.2 | Long Frame Sync | 54 |
| 10.3.3 | Short Frame Sync | 55 |
| 10.3.4 | Multi-slot Operation | 55 |
| 10.3.5 | GCI Interface | 56 |
| 10.3.6 | Slots and Sample Formats | 57 |
| 10.3.7 | Additional Features | 57 |
| 10.3.8 | PCM Timing Information | 58 |
| 10.3.9 | PCM_CLK and PCM_SYNC Generation | 62 |
| 10.3.10 | PCM Configuration | 62 |

| | | |
|-----------|---|-----------|
| 10.4 | Digital Audio Interface (I ² S) | 63 |
| 11 | Power Control and Regulation | 68 |
| 11.1 | Power Control and Regulation | 68 |
| 11.2 | Power Sequencing | 68 |
| 11.3 | External Voltage Source | 69 |
| 11.4 | Switch-mode Regulator | 69 |
| 11.5 | High-voltage Linear Regulator | 69 |
| 11.6 | Low-voltage Linear Regulator | 69 |
| 11.7 | Low-voltage Audio Linear Regulator | 70 |
| 11.8 | Voltage Regulator Enable Pins | 70 |
| 11.9 | Battery Charger | 70 |
| 11.10 | LED Drivers | 72 |
| 11.11 | Reset (RST#) | 73 |
| 11.11.1 | Digital Pin States on Reset | 73 |
| 11.11.2 | Status after Reset | 74 |
| 12 | Example Application Schematic | 75 |
| 13 | Electrical Characteristics | 76 |
| 13.1 | Absolute Maximum Ratings | 76 |
| 13.2 | Recommended Operating Conditions | 76 |
| 13.3 | Input/Output Terminal Characteristics | 77 |
| 13.3.1 | High-voltage Linear Regulator | 77 |
| 13.3.2 | Low-voltage Linear Regulator | 78 |
| 13.3.3 | Low-voltage Linear Audio Regulator | 79 |
| 13.3.4 | Switch-mode Regulator | 80 |
| 13.3.5 | Reset | 81 |
| 13.3.6 | Regulator Enable | 81 |
| 13.3.7 | Battery Charger | 82 |
| 13.3.8 | Digital Terminals | 84 |
| 13.3.9 | LED Driver Pads | 85 |
| 13.3.10 | USB | 85 |
| 13.3.11 | Auxiliary ADC | 86 |
| 13.3.12 | Auxiliary DAC | 86 |
| 13.3.13 | Clocks | 87 |
| 13.3.14 | Stereo CODEC: Analogue to Digital Converter | 88 |
| 13.3.15 | Stereo CODEC: Digital to Analogue Converter | 89 |
| 14 | Power Consumption | 90 |
| 14.1 | Kalimba DSP and CODEC Typical Average Current Consumption | 92 |
| 14.2 | Typical Peak Current at 20°C | 92 |
| 14.3 | Conditions | 92 |
| 15 | RoHS Statement with a List of Banned Materials | 93 |
| 15.1 | RoHS Statement | 93 |
| 15.1.1 | List of Banned Materials | 93 |
| 16 | CSR Bluetooth Software Stack | 94 |
| 16.1 | BlueCore HCI Stack | 94 |
| 16.1.1 | Key Features of the HCI Stack: Standard Bluetooth Functionality | 94 |
| 16.1.2 | Key Features of the HCI Stack: Extra Functionality | 96 |
| 16.2 | Host-Side Software | 96 |
| 16.3 | CSR Development Systems | 96 |
| 16.4 | eXtension | 96 |
| 17 | Ordering Information | 97 |
| 17.1 | Tape and Reel Information | 97 |
| 17.1.1 | Tape Orientation | 97 |
| 17.1.2 | Reel Information | 98 |

| | |
|---|------------|
| 17.2 Moisture Sensitivity Level (MSL) | 98 |
| 18 Document References | 99 |
| Terms and Definitions | 100 |

List of Figures

| | |
|--|----|
| Figure 2.1 BlueCore5-Multimedia Plug-n-Go Device Diagram | 10 |
| Figure 3.1 BlueCore5-Multimedia Plug-n-Go Device Pinout | 11 |
| Figure 3.2 BlueCore5-Multimedia Plug-n-Go 105-ball LFBGA Package Dimensions | 18 |
| Figure 4.1 Circuit for RF_CONNECT | 20 |
| Figure 4.2 Basic Rate and Enhanced Data Rate Packet Structure | 22 |
| Figure 4.3 $\pi/4$ DQPSK Constellation Pattern | 22 |
| Figure 4.4 8DPSK Constellation Pattern | 23 |
| Figure 5.1 Clock Architecture | 25 |
| Figure 5.2 TCXO Clock Accuracy | 27 |
| Figure 5.3 Crystal Driver Circuit | 27 |
| Figure 5.4 Crystal Equivalent Circuit | 27 |
| Figure 6.1 Example TCXO Enable OR Function | 30 |
| Figure 7.1 Kalimba DSP Interface to Internal Functions | 32 |
| Figure 9.1 Universal Asynchronous Receiver | 34 |
| Figure 9.2 Break Signal | 35 |
| Figure 9.3 UART Bypass Architecture | 36 |
| Figure 9.4 USB Connections for Self-Powered Mode | 37 |
| Figure 9.5 USB Connections for Bus-Powered Mode | 38 |
| Figure 9.6 USB_DETACH and USB_WAKE_UP Signal | 39 |
| Figure 9.7 SPI Write Operation | 40 |
| Figure 9.8 SPI Read Operation | 41 |
| Figure 9.9 Example EEPROM Connection | 41 |
| Figure 10.1 Audio Interface | 42 |
| Figure 10.2 Stereo CODEC Audio Input and Output Stages | 43 |
| Figure 10.3 ADC Analogue Amplifier Block Diagram | 45 |
| Figure 10.4 Microphone Biasing (Single Channel Shown) | 48 |
| Figure 10.5 Differential Input (Single Channel Shown) | 51 |
| Figure 10.6 Single-Ended Input (Single Channel Shown) | 51 |
| Figure 10.7 Speaker Output (Single Channel Shown) | 52 |
| Figure 10.8 PCM Interface Master | 54 |
| Figure 10.9 PCM Interface Slave | 54 |
| Figure 10.10 Long Frame Sync (Shown with 8-bit Companded Sample) | 55 |
| Figure 10.11 Short Frame Sync (Shown with 16-bit Sample) | 55 |
| Figure 10.12 Multi-slot Operation with Two Slots and 8-bit Companded Samples | 55 |
| Figure 10.13 GCI Interface | 56 |
| Figure 10.14 16-Bit Slot Length and Sample Formats | 57 |
| Figure 10.15 PCM Master Timing Long Frame Sync | 59 |
| Figure 10.16 PCM Master Timing Short Frame Sync | 59 |
| Figure 10.17 PCM Slave Timing Long Frame Sync | 60 |
| Figure 10.18 PCM Slave Timing Short Frame Sync | 61 |
| Figure 10.19 Digital Audio Interface Modes | 65 |
| Figure 10.20 Digital Audio Interface Slave Timing | 66 |
| Figure 10.21 Digital Audio Interface Master Timing | 67 |
| Figure 11.1 Voltage Regulator Configuration | 68 |
| Figure 11.2 LED Equivalent Circuit | 72 |
| Figure 12.1 BlueCore5-Multimedia Plug-n-Go Example Application Schematic | 75 |

Figure 16.1 BlueCore HCI Stack 94
 Figure 17.1 Tape and Reel Orientation 97
 Figure 17.2 Reel Dimensions 98

List of Tables

Table 4.1 Data Rate Schemes 22
 Table 4.2 2-Bits Determine Phase Shift Between Consecutive Symbols 23
 Table 4.3 3-Bits Determine Phase Shift Between Consecutive Symbols 24
 Table 5.1 PS Key Values for CDMA/3G Phone TCXO 25
 Table 5.2 External Clock Specifications 26
 Table 5.3 Crystal Specification 27
 Table 8.1 Internal Flash Device Specifications 33
 Table 9.1 Possible UART Settings 34
 Table 9.2 Standard Baud Rates 35
 Table 9.3 USB Interface Component Values 38
 Table 9.4 Instruction Cycle for an SPI Transaction 40
 Table 10.1 Alternative Functions of the Digital Audio Bus Interface on the PCM Interface 42
 Table 10.2 ADC Digital Gain Rate Selection 44
 Table 10.3 DAC Digital Gain Rate Selection 46
 Table 10.4 DAC Analogue Gain Rate Selection 47
 Table 10.5 Voltage Output Steps 49
 Table 10.6 Current Output Steps 50
 Table 10.7 PCM Master Timing 58
 Table 10.8 PCM Slave Timing 60
 Table 10.9 PSKEY_PCM_LOW_JITTER_CONFIG Description 62
 Table 10.10 PSKEY_PCM_CONFIG32 Description 62
 Table 10.11 Alternative Functions of the Digital Audio Bus Interface on the PCM Interface 64
 Table 10.12 PSKEY_DIGITAL_AUDIO_CONFIG 64
 Table 10.13 Digital Audio Interface Slave Timing 66
 Table 10.14 Digital Audio Interface Master Timing 67
 Table 11.1 BlueCore5-Multimedia Plug-n-Go Voltage Regulator Enable Pins 70
 Table 11.2 Pin States on Reset 73

List of Equations

Equation 5.1 Load Capacitance 28
 Equation 5.2 Trim Capacitance 28
 Equation 5.3 Frequency Trim 28
 Equation 5.4 Pullability 28
 Equation 5.5 Transconductance Required for Oscillation 29
 Equation 5.6 Equivalent Negative Resistance 29
 Equation 9.1 Baud Rate 35
 Equation 10.1 IIR Filter Transfer Function, $H(z)$ 53
 Equation 10.2 IIR Filter plus DC Blocking Transfer Function, $H_{DC}(z)$ 53
 Equation 10.3 PCM_CLK Frequency When Being Generated Using the Internal 48MHz Clock 62
 Equation 10.4 PCM_SYNC Frequency Relative to PCM_CLK 62
 Equation 11.1 LED Current 72
 Equation 11.2 LED PAD Voltage 72

1 Device Details

Radio

- Common Tx/Rx terminal simplifies external matching; eliminates external antenna switch
- BIST minimises production test time
- Antenna matching and filtering within the IC
- Bluetooth v2.1 + EDR specification compliant

Transmitter

- 5dBm RF transmit power with level control from on-chip 6-bit DAC over a dynamic range >30dB
- Class 2 and Class 3 support without the need for an external power amplifier or TX/RX switch

Receiver

- Receiver sensitivity of -90dBm
- Integrated channel filters
- Digital demodulator for improved sensitivity and co-channel rejection
- Real-time digitised RSSI available on HCI interface
- Fast AGC for enhanced dynamic range

Synthesiser

- Fully integrated synthesiser requires no external VCO, varactor diode, resonator or loop filter
- Compatible with crystals between 16MHz to 26MHz or an external clock between 12MHz to 52MHz
- Accepts 14.40, 15.36, 16.2, 16.8, 19.2, 19.44, 19.68, 19.8 and 38.4MHz TCXO frequencies for GSM and CDMA devices with sinusoidal or logic level signals

Baseband and Software

- 16-Mbit of internal Flash
- 48-Kbyte of internal RAM, allows full-speed data transfer, mixed voice/data and full piconet support
- Logic for forward error correction, header error control, access code correlation, CRC, demodulation, encryption bit stream generation, whitening and transmit pulse shaping
- Transcoders for A-law, μ -law and linear voice from host and A-law, μ -law and CVSD voice over air

Physical Interfaces

- Serial peripheral interface (SPI)* with clock speeds up to 64MHz in Master mode¹ and 32MHz in Slave mode
- I²C master compatible interface
- UART interface with programmable data rate up to 4Mbits/s with an optional bypass mode
- Full-speed USB v1.1 interface
- Bi-directional serial programmable audio interface supporting PCM, I²S and SPDIF formats

¹ Requires firmware support

Kalimba DSP

- Very low power Kalimba DSP co-processor, 64MIPS, 24-bit fixed point core
- Sub-band coding (SBC)* decode takes approximately 4mW power consumption while streaming music
- Single-cycle MAC; 24 x 24-bit multiply and 56-bit accumulator
- 32-bit instruction word, dual 24-bit data memory
- 24-Kbyte (6-Kword) program RAM, 36-Kbyte + 48-Kbyte (16-Kword + 12-Kword) data RAM
- 64-word x 32-bit program memory cache when executing from Flash

Stereo Audio CODEC

- 16-bit internal stereo CODEC
- Dual ADC and DAC for stereo audio
- Integrated amplifiers for driving 16 Ω speakers; no need for external components
- Support for single-ended speaker termination and line output
- Integrated low-noise microphone bias
- ADC sample rates 8, 11.025, 16, 22.05, 32 and 44.1kHz
- DAC sample rates 8, 11.025, 12, 16, 22.05, 24, 32, 44.1 and 48kHz

Auxiliary Features

- User space on processor for customer applications
- Crystal oscillator with built-in digital trimming
- Power management includes digital shutdown and wake-up commands with an integrated low-power oscillator for ultra-low power Park/Sniff/Hold mode
- Clock request output to control external clock
- On-chip regulators: 1.5V output from 1.8V to 2.7V input and 1.8V output from 2.7V to 4.5V input
- On-chip high-efficiency switched-mode regulator; 1.8V output from 2.7V to 4.4V input
- Power-on-reset cell detects low supply voltage
- 10-bit ADC and 8-bit DAC available to applications
- On-chip charger for lithium ion/polymer batteries

Bluetooth Stack

- CSR's Bluetooth Protocol Stack runs on the on-chip MCU in a variety of configurations:
- Standard HCI (UART or USB)
 - Complete stack and application running on chip
 - Audio CODEC and echo-noise suppression or customer-specific algorithms running on the DSP

Package Option

- LFBGA 105-ball, 10 x 10 x 1.6mm, 0.8mm pitch

2 Device Diagram

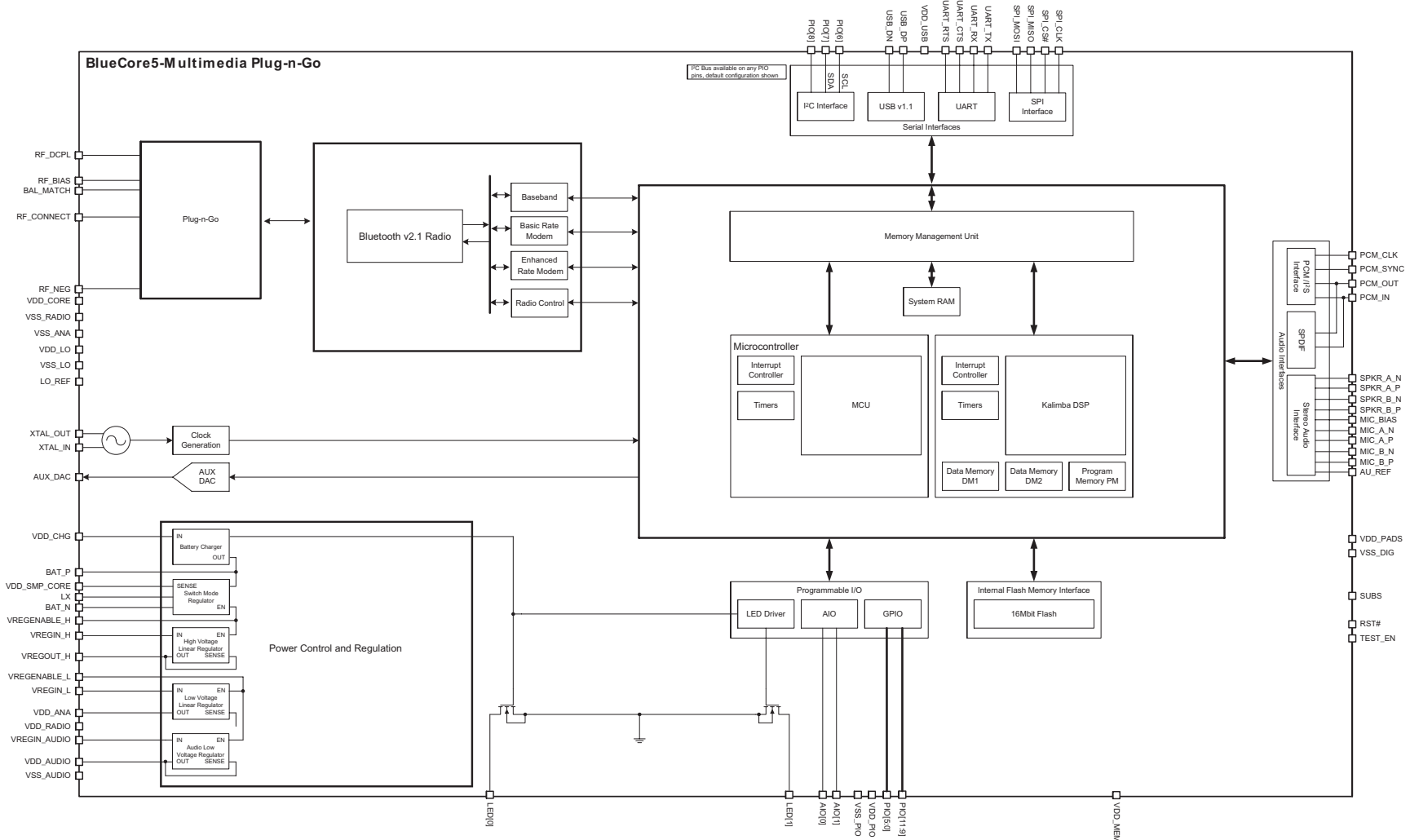


Figure 2.1: BlueCore5-Multimedia Plug-n-Go Device Diagram

3 Package Information

3.1 Pinout Diagram

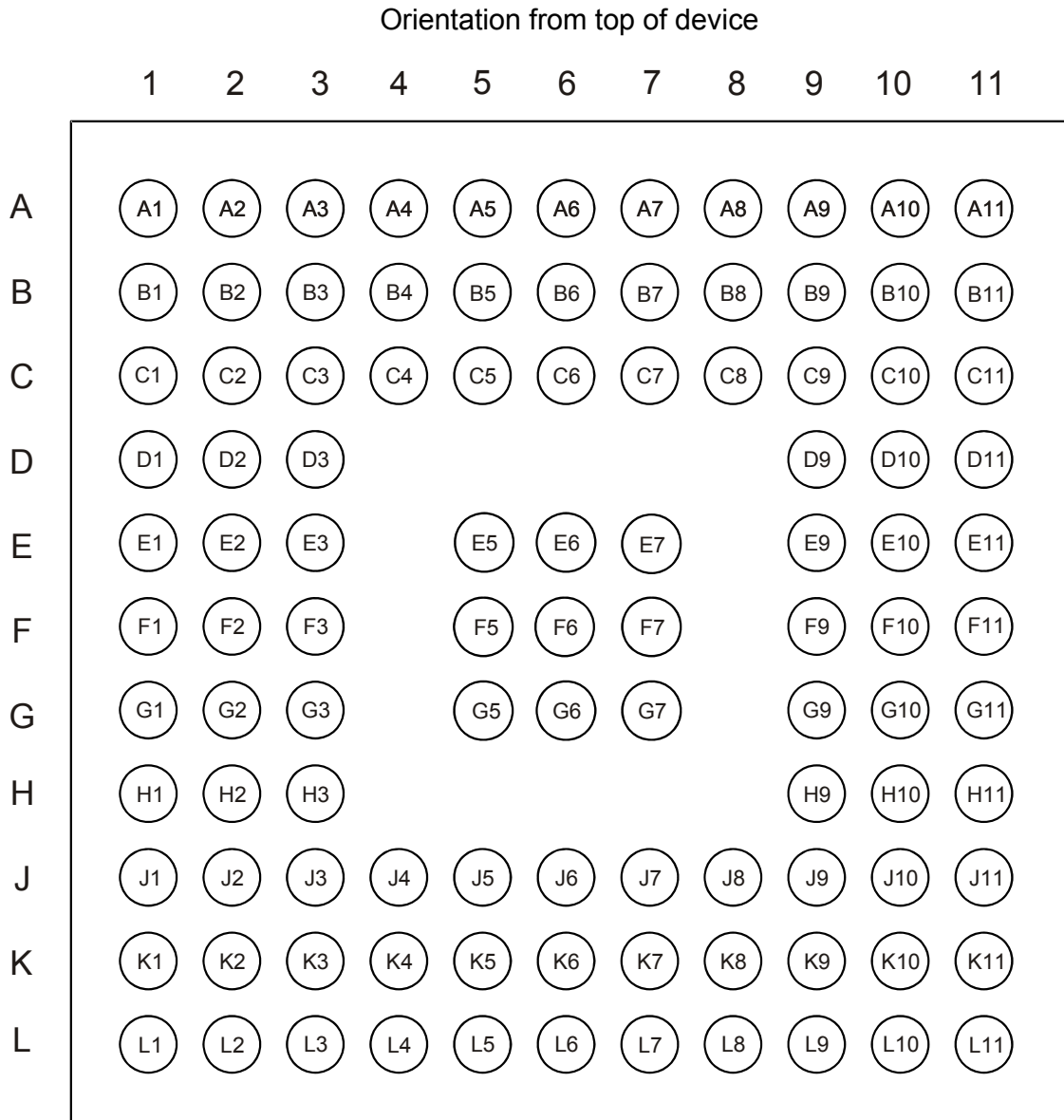


Figure 3.1: BlueCore5-Multimedia Plug-n-Go Device Pinout

3.2 BlueCore5-Multimedia Plug-n-Go Device Terminal Functions

| Radio | Ball | Pad Type | Supply Domain | Description |
|------------|------|----------|---------------|--------------------------------------|
| BAL_MATCH | C1 | RF | RF | Tie to VSS_RADIO |
| RF_CONNECT | D1 | RF | RF | 50Ω RF matched I/O |
| RF_BIAS | G1 | RF | RF | Bias for internal Balun |
| RF_DCPL | H1 | RF | RF | Decoupling for RF_BIAS. Tie to VSS. |
| RF_NEG | K1 | RF | RF | Cold end of Balun Ouput. Tie to VSS. |
| AUX_DAC | D3 | Analogue | VDD_PIO | Voltage DAC |

| Synthesiser and Oscillator | Ball | Pad Type | Supply Domain | Description |
|----------------------------|------|----------|---------------|---|
| XTAL_IN | L3 | Analogue | VDD_ANA | For crystal or external clock input |
| XTAL_OUT | L4 | Analogue | VDD_ANA | Drive for crystal |
| LO_REF | J5 | Analogue | VDD_LO | Reference voltage to decouple the synthesiser |

| UART and USB | Ball | Pad Type | Supply Domain | Description |
|--------------|------|---|---------------|---|
| UART_TX | H9 | Bi-directional CMOS output, tri-state, with weak internal pull-up | VDD_USB | UART data output |
| UART_RX | J9 | CMOS input with weak internal pull-down | VDD_USB | UART data input |
| UART_RTS | K9 | Bi-directional CMOS output, tri-state, with weak internal pull-up | VDD_USB | UART request to send, active low |
| UART_CTS | K8 | CMOS input with weak internal pull-down | VDD_USB | UART clear to send, active low |
| USB_DP | K11 | Bi-directional | VDD_USB | USB data plus with selectable internal 1.5kΩ pull-up resistor |
| USB_DN | K10 | Bi-directional | VDD_USB | USB data minus |

| PCM Interface | Ball | Pad Type | Supply Domain | Description |
|---------------|------|--|---------------|-------------------------|
| PCM_OUT | F11 | CMOS output, tri-state, with weak internal pull-down | VDD_PADS | Synchronous data output |
| PCM_IN | G11 | CMOS input, with weak internal pull-down | VDD_PADS | Synchronous data input |
| PCM_SYNC | F10 | Bi-directional with weak internal pull-down | VDD_PADS | Synchronous data sync |
| PCM_CLK | F9 | Bi-directional with weak internal pull-down | VDD_PADS | Synchronous data clock |

| SPI Interface | Ball | Pad Type | Supply Domain | Description |
|---------------|------|--|---------------|-----------------------------------|
| SPI_MISO | D11 | CMOS output, tri-state, with weak internal pull-down | VDD_PADS | SPI data output |
| SPI_MOSI | E9 | CMOS input, with weak internal pull-down | VDD_PADS | SPI data input |
| SPI_CS# | E11 | Input with weak internal pull-up | VDD_PADS | Chip select for (SPI), active low |
| SPI_CLK | E10 | Input with weak internal pull-down | VDD_PADS | SPI clock |

| PIO Port | Ball | Pad Type | Supply Domain | Description |
|----------|------|---|---------------|---|
| PIO[0] | B1 | Bi-directional with programmable strength internal pull-up/down | VDD_PIO | Programmable input/output line |
| PIO[1] | B7 | | | |
| PIO[2] | B6 | | | |
| PIO[3] | A6 | | | |
| PIO[4] | B8 | Bi-directional with programmable strength internal pull-up/down | VDD_PADS | Programmable input/output line |
| PIO[5] | C8 | | | |
| PIO[6] | K6 | | | |
| PIO[7] | L6 | | | |
| PIO[8] | K7 | | | |
| PIO[9] | J8 | | | |
| PIO[10] | L7 | | | |
| PIO[11] | J7 | | | |
| AIO[0] | J6 | Bi-directional | VDD_ANA | Analogue programmable input/output line |
| AIO[1] | K5 | | | |

| Test and Debug | Ball | Pad Type | Supply Domain | Description |
|----------------|------|---|---------------|--|
| RST# | G9 | CMOS input with weak internal pull-up | VDD_PADS | Reset if low. Input debounced so must be low for >5ms to cause a reset |
| TEST_EN | G10 | CMOS input with strong internal pull-down | VDD_PADS | For test purposes only (leave unconnected) |

| CODEC | Ball | Pad Type | Supply Domain | Description |
|-------------|------|----------|---------------|--|
| MIC_A_P | A2 | Analogue | VDD_AUDIO | Microphone input positive, left |
| MIC_A_N | A1 | Analogue | VDD_AUDIO | Microphone input negative, left |
| MIC_B_P | B4 | Analogue | VDD_AUDIO | Microphone input positive, right |
| MIC_B_N | A3 | Analogue | VDD_AUDIO | Microphone input negative, right |
| SPKR_A_P | C2 | Analogue | VDD_AUDIO | Speaker output positive, left |
| SPKR_A_N | C3 | Analogue | VDD_AUDIO | Speaker output negative, left |
| SPKR_B_P | B2 | Analogue | VDD_AUDIO | Speaker output positive, right |
| SPKR_B_N | B3 | Analogue | VDD_AUDIO | Speaker output negative, right |
| MIC_BIAS | B5 | Analogue | VDD_AUDIO | Microphone bias |
| AU_REF_DCPL | C5 | Analogue | VDD_AUDIO | Decoupling of audio reference (for high-quality audio) |

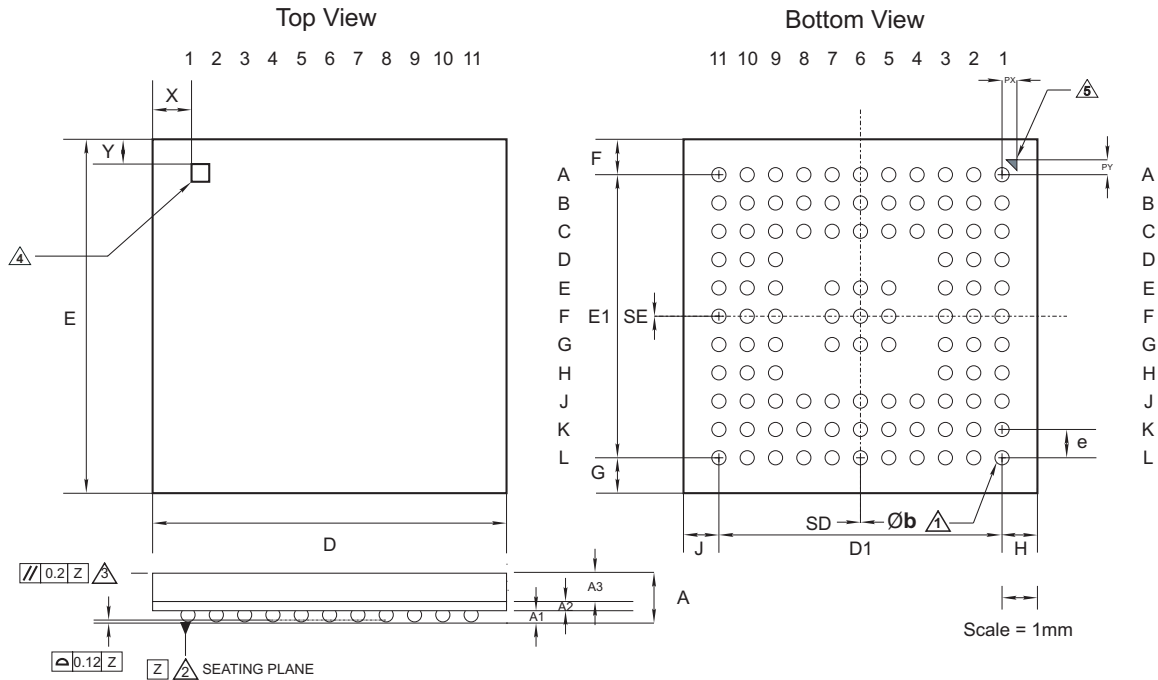
| LED Drivers | Ball | Pad Type | Supply Domain | Description |
|-------------|------|-------------------|-------------------|-------------|
| LED[1] | D10 | Open drain output | See Section 11.10 | LED driver |
| LED[0] | C10 | Open drain output | See Section 11.10 | LED driver |

| Power Supplies and Control | Ball | Pad Type | Description |
|----------------------------|----------|--------------------------------------|--|
| VREGENABLE_L | K2 | Analogue | Take high to enable both low-voltage regulator and audio low-voltage regulator |
| VREGENABLE_H | A8 | Analogue | Take high to enable high-voltage linear regulator and switch-mode regulator |
| VREGIN_L | K3 | Regulator input | Low-voltage linear regulator input for non-audio core circuitry |
| VREGIN_AUDIO | A5 | Regulator input | Audio low-voltage linear regulator input |
| VREGIN_H | A11 | Regulator input | High-voltage linear regulator input |
| VREGOUT_H | B11 | Supply | High-voltage linear regulator output |
| LX | A10 | Switched-mode power regulator output | Switched-mode power regulator output |
| VDD_USB | L11 | VDD | Positive supply for UART and USB ports |
| VDD_PIO | E3 | VDD | Positive supply for PIO and AUX DAC |
| VDD_PADS | J11 | VDD | Positive supply for all other digital input/output ports |
| VDD_CORE | H11, C11 | VDD | Positive supply for internal digital circuitry, 1.5V |
| VDD_RADIO | H3 | VDD/Low-voltage regulator sense | Positive supply for RF circuitry, 1.5V |
| VDD_LO | J3 | VDD | Positive supply for local oscillator circuitry, 1.5V |
| VDD_ANA | L2 | VDD/Low-voltage regulator output | Positive supply output for analogue circuitry and 1.5V regulated output (from low-voltage regulator) |
| VDD_AUDIO | A4 | VDD | Positive supply for audio, 1.5V |
| BAT_P | B10 | Battery positive terminal | Lithium ion/polymer battery positive terminal. Battery charger output and input to switch-mode regulator |
| VDD_CHG | B9 | Charger input | Lithium ion/polymer battery charger input |
| VDD_SMP_CORE | A9 | VDD | Positive supply for switch mode control circuitry |

| Power Supplies and Control | Ball | Pad Type | Description |
|----------------------------|--|---------------------------|---|
| VDD_MEM | A7, L8, L10 | VDD | Positive supply for internal Flash memory |
| VSS_DIG | C6, D9, F3, H10, J10, L5, L9 | VSS | Ground connection for internal digital circuitry |
| VSS_RADIO | F2, H2 | VSS | Ground connections for RF circuitry |
| VSS_LO | J2 | VSS | Ground connections for local oscillator |
| VSS_ANA | K4 | VSS | Ground connections for analogue circuitry |
| VSS_AUDIO | C4 | VSS | Ground connection for audio |
| BAT_N | C9 | Battery negative terminal | Lithium ion/polymer battery negative terminal. Ground connection for switch-mode regulator. |
| SUBS | C7, E5, E6, E7, F5, F6, F7, G5, G6, G7, J4 | VSS | Connection to internal die substrate. Connect to lowest possible potential. |

| Unconnected Terminals | Ball | Description |
|-----------------------|--------------------------------|-------------------|
| N/C | D2, E1, E2, F1, G2, G3, J1, L1 | Leave unconnected |

3.3 Package Dimensions



| Description | 105-Ball Low-Profile Fine-Pitch Ball Grid Array (LFBGA) | | | |
|-------------------|---|---------|---------|---|
| Size | 10 x 10 x 1.6mm | | | |
| Pitch | 0.8mm | | | |
| Package Ball Land | Solder mask defined. Solder mask aperture 300 μ m \varnothing | | | |
| Dimension | Minimum | Typical | Maximum | Notes |
| A | | | 1.6 | ① Dimension b is measured at the maximum solder ball diameter parallel to datum plane Z |
| A1 | 0.27 | - | 0.37 | |
| A2 | | 0.26 | | ② Datum Z is defined by the spherical crowns of the solder balls |
| A3 | | 1.00 | | |
| b | 0.37 | - | 0.47 | ③ Parallelism measurement shall exclude any effect of mark on top surface of package |
| D | 9.90 | 10.00 | 10.10 | |
| E | 9.90 | 10.00 | 10.10 | ④ Top-side polarity mark. The dimensions of the square polarity mark are 0.5 x 0.5mm. |
| e | | 0.80 | | |
| D1 | | 8.00 | | ⑤ Bottom-side polarity mark. The dimensions of the triangular polarity mark are 0.30 x 0.30 x 0.42mm. |
| E1 | | 8.00 | | |
| F | 0.950 | 1.000 | 1.050 | |
| G | 0.950 | 1.000 | 1.050 | |
| H | 0.950 | 1.000 | 1.050 | |
| J | 0.950 | 1.000 | 1.050 | |
| PX | | 0.625 | | |
| PY | | 0.625 | | |
| SD | | 0 | | |
| SE | | 0 | | |
| X | | 1.10 | | |
| Y | | 0.70 | | |
| JEDEC | MO-210 | | | |
| Unit | mm | | | |

Figure 3.2: BlueCore5-Multimedia Plug-n-Go 105-ball LFBGA Package Dimensions

3.4 PCB Design and Assembly Considerations

This section lists recommendations to achieve maximum board-level reliability of the 10 x 10 x 1.6mm LFBGA 105-ball package:

- *Non solder mask defined* (NSMD) lands (that is, lands smaller than the solder mask aperture) are preferred because of the greater accuracy of the metal definition process compared to the solder mask process. With solder mask defined pads, the overlap of the solder mask on the land creates a step in the solder at the land interface, which can cause stress concentration and act as a point for crack initiation.
- Via-in-pad technology should be used to achieve truly NSMD lands. Where this is not possible, a maximum of one trace connected to each land is preferred and this trace should be as thin as possible, taking into consideration its current carrying and the *radio frequency* (RF) requirements.
- 35µm thick (1oz) copper lands are recommended rather than 17µm thick (0.5oz). This results in a greater standoff which has been proven to provide greater reliability during thermal cycling.
- Land diameter should be the same as that on the package to achieve optimum reliability.
- Solder paste is preferred to flux during the assembly process because this adds to the final volume of solder in the joint, increasing its reliability.
- Where a nickel gold plating finish is used, the gold thickness should be kept below 0.5µm to prevent brittle gold/tin intermetallics forming in the solder.

3.4.1 Thermal Resistance

By simulation to JEDEC JESD-51 the Theta Ja of the BlueCore5-Multimedia Plug-n-Go 10 x 10 x 1.6mm LFBGA 105-ball package is 38°C/W, on a 4-layer PCB with zero air flow.

3.5 Typical Solder Reflow Profile

See *Typical Solder Reflow Profile for Lead-free Device* for information.

4 Bluetooth Modem

4.1 RF Plug-n-Go

The package used on the BlueCore5-Multimedia Plug-n-Go device is an RF Plug-n-Go package, where the terminal RF_CONNECT forms an unbalanced output with a nominal 50Ω impedance. This terminal can be directly connected to an antenna requiring no impedance matching network as Figure 4.1 indicates, however a filter is needed.

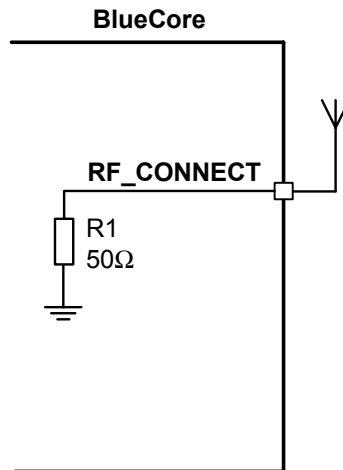


Figure 4.1: Circuit for RF_CONNECT

4.2 RF Receiver

The receiver features a near-zero *intermediate frequency* (IF) architecture that allows the channel filters to be integrated onto the die. Sufficient out-of-band blocking specification at the *low-noise amplifier* (LNA) input allows the receiver to be used in close proximity to *Global System for Mobile Communications* (GSM) and *Wideband Code Division Multiple Access* (W-CDMA) cellular phone transmitters without being desensitised. The use of a digital Frequency Shift Keying (FSK) discriminator means that no discriminator tank is needed and its excellent performance in the presence of noise allows BlueCore5-Multimedia Plug-n-Go to exceed the Bluetooth requirements for co-channel and adjacent channel rejection.

For EDR, the demodulator contains an ADC which digitises the IF received signal. This information is then passed to the EDR modem.

4.2.1 Low Noise Amplifier

The LNA operates in differential mode and takes its input from the shared RF port.

4.2.2 RSSI Analogue to Digital Converter

The *Analogue to Digital Converter* (ADC) implements fast *Automatic Gain Control* (AGC). The ADC samples the *received signal strength indicator* (RSSI) voltage on a slot-by-slot basis. The front-end LNA gain is changed according to the measured RSSI value, keeping the first mixer input signal within a limited range. This improves the dynamic range of the receiver, improving performance in interference limited environments.

4.3 RF Transmitter

4.3.1 IQ Modulator

The transmitter features a direct IQ modulator to minimise the frequency drift during a transmit timeslot, which results in a controlled modulation index. Digital baseband transmit circuitry provides the required spectral shaping.

4.3.2 Power Amplifier

The internal *Power Amplifier* (PA) has a maximum output power that allows BlueCore5-Multimedia Plug-n-Go to be used in Class 2 and Class 3 radios without an external RF PA.

4.4 Bluetooth Radio Synthesiser

The Bluetooth radio synthesiser is fully integrated onto the die with no requirement for an external *Voltage Controlled Oscillator* (VCO) screening can, varactor tuning diodes, LC resonators or loop filter. The synthesiser is guaranteed to lock in sufficient time across the guaranteed temperature range to meet the Bluetooth v2.1 + EDR specification.

4.5 Baseband

4.5.1 Burst Mode Controller

During transmission the *Burst Mode Controller* (BMC) constructs a packet from header information previously loaded into memory-mapped registers by the software and payload data/voice taken from the appropriate ring buffer in the RAM. During reception, the BMC stores the packet header in memory-mapped registers and the payload data in the appropriate ring buffer in RAM. This architecture minimises the intervention required by the processor during transmission and reception.

4.5.2 Physical Layer Hardware Engine

Dedicated logic performs the following:

- Forward error correction
- Header error control
- Cyclic redundancy check
- Encryption
- Data whitening
- Access code correlation
- Audio transcoding

Firmware performs the following voice data translations and operations:

- A-law/ μ -law/linear voice data (from host)
- A-law/ μ -law/*Continuously Variable Slope Delta* (CVSD) (over the air)
- Voice interpolation for lost packets
- Rate mismatches

The hardware supports all optional and mandatory features of Bluetooth v2.1 + EDR specification including AFH and eSCO.

4.6 Basic Rate Modem

The Basic Rate modem satisfies the basic data rate requirements of the Bluetooth v2.1 + EDR specification. The basic rate was the standard data rate available on the Bluetooth v1.2 specification and below, it is based on *Gaussian Frequency Shift Keying* (GFSK) modulation scheme.

The inclusion of the basic rate modem allows BlueCore5-Multimedia Plug-n-Go compatibility with earlier Bluetooth products.

The basic rate modem uses the RF Ports, Receiver, Transmitter and Synthesiser, alongside the baseband components described in Section 4.5.

4.7 Enhanced Data Rate Modem

The *Enhanced Data Rate* (EDR) modem satisfies the requirements of the Bluetooth v2.1 + EDR specification. EDR has been introduced to provide 2x and 3x data rates with minimal disruption to higher layers of the Bluetooth stack. BlueCore5-Multimedia Plug-n-Go supports both the basic and enhanced data rates and is compliant with the Bluetooth v2.1 + EDR specification.

At the baseband level, EDR utilises both the same 1.6kHz slot rate and the 1MHz symbol rate as defined for the basic data rate. EDR differs in that each symbol in the payload portion of a packet represents 2 or 3-bits. This is achieved using two new distinct modulation schemes. Table 4.1 and Figure 4.2 summarise these. Link Establishment and management are unchanged and still use GFSK for both the header and payload portions of these packets.

The enhanced data rate modems uses the RF Ports, Receiver, Transmitter and Synthesiser, with the baseband components described in Section 4.5.

| Data Rate Scheme | Bits Per Symbol | Modulation |
|------------------|-----------------|------------------|
| Basic Data Rate | 1 | GFSK |
| EDR | 2 | $\pi/4$ DQPSK |
| EDR | 3 | 8DPSK (optional) |

Table 4.1: Data Rate Schemes

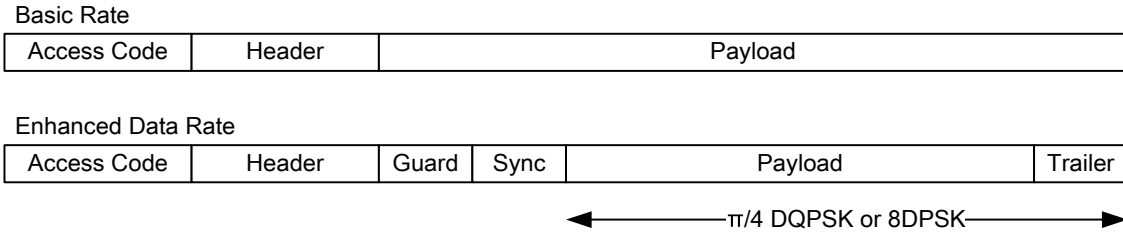


Figure 4.2: Basic Rate and Enhanced Data Rate Packet Structure

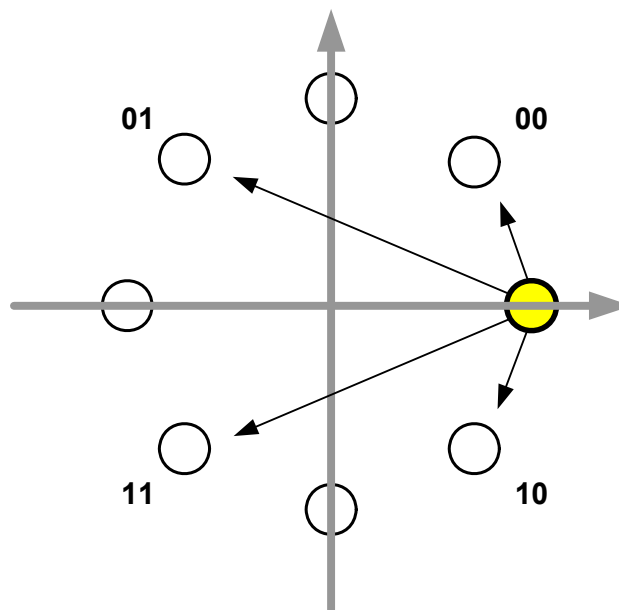
4.7.1 Enhanced Data Rate $\pi/4$ DQPSK

The 2x data rate for EDR uses a $\pi/4$ -DQPSK. Each symbol represents 2-bits of information. Figure 4.3 shows the constellation. It has two planes, each having four points. Although it seems there are eight possible phase states, the encoding ensures that the trajectory of the modulation between symbols is restricted to the four states in the other plane.

For a given starting point, each phase change between symbols is restricted to $+3\pi/4$, $+\pi/4$, $-\pi/4$ or $-3\pi/4$ radians ($+135^\circ$, $+45^\circ$, -45° or -135°). For example, the arrows shown in Figure 4.3 represent trajectory to the four possible states in the other plane. Table 4.2 shows the phase shift encoding of symbols.

There are two main advantages in using $\pi/4$ DQPSK modulation:

- The scheme avoids the crossing of the origin (a $+\pi$ or $-\pi$ phase shift) and therefore minimises amplitude variations in the envelope of the transmitted signal. This in turn allows the RF power amplifiers of the transmitter to be operated closer to their compression point without introducing spectral distortions. Consequently, the DC to RF efficiency is maximised.
- The differential encoding also allows for the demodulation without the knowledge of an absolute value for the phase of the RF carrier.


 Figure 4.3: $\pi/4$ DQPSK Constellation Pattern

| Bit Pattern | Phase Shift |
|-------------|-------------|
| 00 | $\pi/4$ |
| 01 | $3\pi/4$ |
| 11 | $-3\pi/4$ |
| 10 | $-\pi/4$ |

Table 4.2: 2-Bits Determine Phase Shift Between Consecutive Symbols

4.7.2 Enhanced Data Rate 8DPSK

The 3x data rate modulation uses eight phase differential phase shift keying (8DPSK). Each symbol in the payload portion of the packet represents 3 baseband bits. Although it seems the 8DPSK is similar to $\pi/4$ DQPSK, the differential phase shifts between symbols are now permissible between any of the eight possible phase states. This reduces the separation between adjacent symbols on the constellation to $\pi/4$ (45°) and thereby reduces the noise and interference immunity of the modulation scheme. Nevertheless, because each symbol now represents 3 baseband bits, the actual throughput of the data is 3x when compared with the basic rate packet.

Figure 4.4 shows the 8DPSK constellation and Table 4.3 shows the phase encoding.

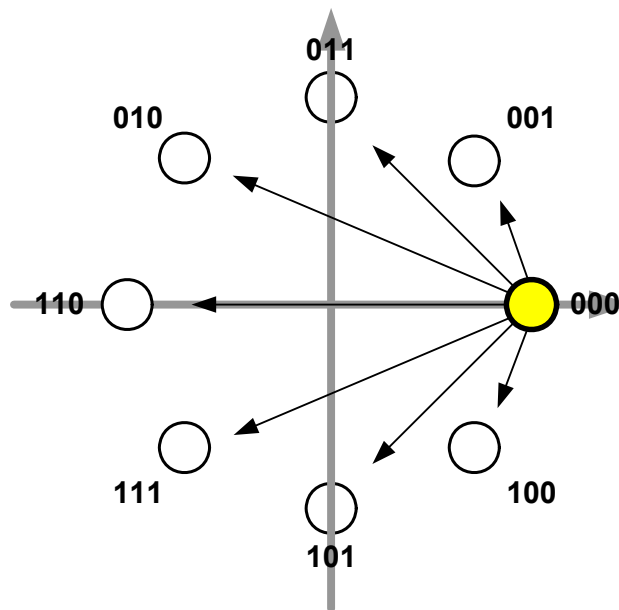


Figure 4.4: 8DPSK Constellation Pattern

| Bit Pattern | Phase Shift |
|-------------|-------------|
| 000 | 0 |
| 001 | $\pi/4$ |
| 011 | $\pi/2$ |
| 010 | $3\pi/4$ |
| 110 | π |
| 111 | $-3\pi/4$ |
| 101 | $-\pi/2$ |
| 100 | $-\pi/4$ |

Table 4.3: 3-Bits Determine Phase Shift Between Consecutive Symbols

5 Clock Generation

BlueCore5-Multimedia Plug-n-Go requires a Bluetooth reference clock frequency of 12MHz to 52MHz from either an externally connected crystal or from an external TCXO source.

All BlueCore5-Multimedia Plug-n-Go internal digital clocks are generated using a phase locked loop, which is locked to the frequency of either the external 12MHz to 52MHz reference clock source or an internally generated watchdog clock frequency of 1kHz.

The Bluetooth operation determines the use of the watchdog clock in low-power modes.

5.1 Clock Architecture

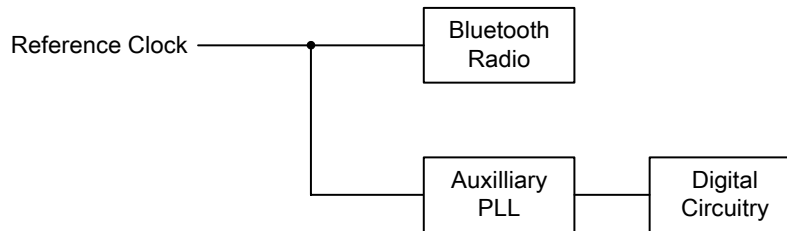


Figure 5.1: Clock Architecture

5.2 Input Frequencies and PS Key Settings

BlueCore5-Multimedia Plug-n-Go should be configured to operate with the chosen reference frequency. Do this by setting the PS Key ANA_FREQ (0x01FE) for all frequencies with an integer multiple of 250kHz. The input frequency default setting in BlueCore5-Multimedia Plug-n-Go is 26MHz depending on the software build. Full details are in the software release note for the specific build from www.csrsupport.com.

The following CDMA/3G phone TCXO frequencies are also catered for: 14.40, 15.36, 16.2, 16.8, 19.2, 19.44, 19.68, 19.8 and 38.4MHz. The value of the PS Key is a multiple of 1kHz, so 38.4MHz is selected by using a PS Key value of 38400.

| Reference Crystal Frequency (MHz) | ANA_FREQ (0x1fe) (kHz) |
|-----------------------------------|------------------------|
| 14.40 | 14400 |
| 15.36 | 15360 |
| 16.20 | 16200 |
| 16.80 | 16800 |
| 19.20 | 19200 |
| 19.44 | 19440 |
| 19.68 | 19680 |
| 19.80 | 19800 |
| 38.40 | 38400 |
| n x 0.25 | n x 250 |
| 26.00 (default) | 26000 |

Table 5.1: PS Key Values for CDMA/3G Phone TCXO

5.3 External Reference Clock

5.3.1 Input (XTAL_IN)

The external reference clock is applied to the BlueCore5-Multimedia Plug-n-Go XTAL_IN input.

BlueCore5-Multimedia Plug-n-Go is configured to accept the external reference clock at XTAL_IN by connecting XTAL_OUT to ground. The external clock can be either a digital level square wave or sinusoidal, and this may be directly coupled to XTAL_IN without the need for additional components. A digital level reference clock gives superior noise immunity, as the high slew rate clock edges have lower voltage to phase conversion. If peaks of the reference clock are either below VSS_ANA or above VDD_ANA, it must be driven through a DC blocking capacitor (approximately 33pF) connected to XTAL_IN.

The external reference clock signal should meet the specifications outlined in Table 5.2.

| | | Min | Typ | Max | Unit |
|--------------------------------|---------------------|-----------------|-------|-------------------------------|----------|
| Frequency ^(a) | | 12 | 26 | 52 | MHz |
| Duty cycle | | 20:80 | 50:50 | 80:20 | |
| Edge Jitter (At Zero Crossing) | | - | - | 15 | ps rms |
| Signal Level | AC coupled sinusoid | 400 | - | VDD_ANA ^(b) | mV pk-pk |
| | DC coupled digital | V _{IL} | - | VSS_ANA ^(c) | V |
| | | V _{IH} | - | VDD_ANA ^(b) (c) | V |

Table 5.2: External Clock Specifications

^(a) The frequency should be an integer multiple of 250kHz except for the CDMA/3G frequencies

^(b) VDD_ANA is 1.50V nominal

^(c) If driven via a DC blocking capacitor max amplitude is reduced to 750mV pk-pk for non 50:50 duty cycle

5.3.2 XTAL_IN Impedance in External Mode

The impedance of XTAL_IN does not change significantly between operating modes, typically 10fF. When transitioning from Deep Sleep to an active state a spike of up to 1pC may be measured. For this reason CSR recommends that a buffered clock input is used.

5.3.3 Clock Start-up Delay

BlueCore5-Multimedia Plug-n-Go hardware incorporates an automatic 5ms delay after the assertion of the system clock request signal before running firmware. This is suitable for most applications using an external clock source. However, there may be scenarios where the clock cannot be guaranteed to either exist or be stable after this period. Under these conditions, BlueCore5-Multimedia Plug-n-Go firmware provides a software function that extends the system clock request signal by a period stored in PSKEY_CLOCK_STARTUP_DELAY. This value is set in milliseconds from 1-31ms. Zero is the default entry for 5ms delay.

This PS Key allows the designer to optimise a system where clock latencies may be longer than 5ms while still keeping the current consumption of BlueCore5-Multimedia Plug-n-Go as low as possible. BlueCore5-Multimedia Plug-n-Go consumes about 2mA of current for the duration of PSKEY_CLOCK_STARTUP_DELAY before activating the firmware.

5.3.4 Clock Timing Accuracy

As Figure 5.2 shows, the 250ppm timing accuracy on the external clock is required 2ms after the firmware begins to run. This is to guarantee that the firmware can maintain timing accuracy in accordance with the Bluetooth v2.1 + EDR specification. Radio activity may occur after 6ms after the firmware starts. Therefore, at this point the timing accuracy of the external clock source must be within ± 20 ppm.

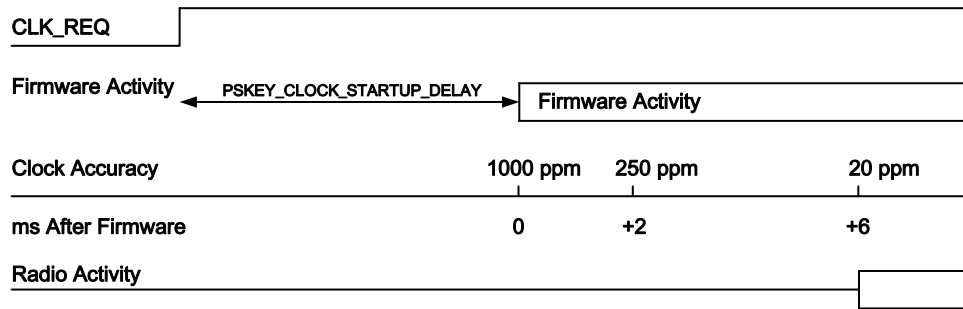


Figure 5.2: TCXO Clock Accuracy

5.4 Crystal Oscillator (XTAL_IN, XTAL_OUT)

BlueCore5-Multimedia Plug-n-Go contains a crystal driver circuit. This operates with an external crystal and capacitors to form a Pierce oscillator. The external crystal is connected to pins XTAL_IN, XTAL_OUT.

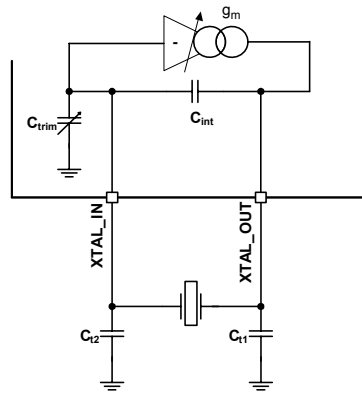


Figure 5.3: Crystal Driver Circuit

Figure 5.4 shows an electrical equivalent circuit for a crystal. The crystal appears inductive near its resonant frequency. It forms a resonant circuit with its load capacitors.

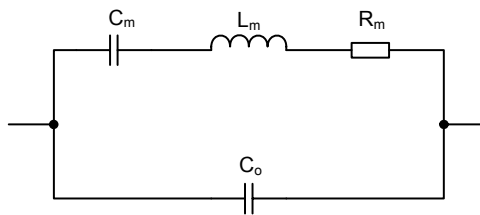


Figure 5.4: Crystal Equivalent Circuit

The resonant frequency may be trimmed with the crystal load capacitance. BlueCore5-Multimedia Plug-n-Go contains variable internal capacitors to provide a fine trim.

| Parameter | Min | Typ | Max | Unit |
|-------------------|-----|-----|-----|--------|
| Frequency | 16 | 26 | 26 | MHz |
| Initial Tolerance | - | ±25 | - | ppm |
| Pullability | - | ±20 | - | ppm/pF |
| Transconductance | 2.0 | - | - | mS |

Table 5.3: Crystal Specification

The BlueCore5-Multimedia Plug-n-Go driver circuit is a transconductance amplifier. A voltage at XTAL_IN generates a current at XTAL_OUT. The value of transconductance is variable and may be set for optimum performance.

5.4.1 Load Capacitance

For resonance at the correct frequency the crystal should be loaded with its specified load capacitance, which is defined for the crystal. This is the total capacitance across the crystal viewed from its terminals. BlueCore5-Multimedia Plug-n-Go provides some of this load with the capacitors C_{trim} and C_{int} . The remainder should be from the external capacitors labelled C_{t1} and C_{t2} . C_{t1} should be three times the value of C_{t2} for best noise performance. This maximises the signal swing, hence slew rate at XTAL_IN (to which all on-chip clocks are referred).

Crystal load capacitance, C_l is calculated with Equation 5.1:

$$C_l = C_{int} + \frac{(C_{t2} + C_{trim})C_{t1}}{C_{t2} + C_{trim} + C_{t1}}$$

Equation 5.1: Load Capacitance

Note:

$C_{trim} = 3.4\text{pF}$ nominal (mid-range setting)

$C_{int} = 1.5\text{pF}$

C_{int} does not include the crystal internal self capacitance; it is the driver self capacitance.

5.4.2 Frequency Trim

BlueCore5-Multimedia Plug-n-Go enables frequency adjustments to be made. This feature is typically used to remove initial tolerance frequency errors associated with the crystal. Frequency trim is achieved by adjusting the crystal load capacitance with an on-chip trim capacitor, C_{trim} . The value of C_{trim} is set by a 6-bit word in the PS Key ANA_FTRIM (0x1f6). Its value is calculated as follows:

$$C_{trim} = 125\text{fF} \times \text{PSKEY_ANA_FTRIM}$$

Equation 5.2: Trim Capacitance

The C_{trim} capacitor is connected between XTAL_IN and ground. When viewed from the crystal terminals, the combination of the tank capacitors and the trim capacitor presents a load across the terminals of the crystal which varies in steps of typically 125fF for each least significant bit increment of ANA_FTRIM.

Equation 5.3 describes the frequency trim.

$$\frac{\Delta(F_x)}{F_x} = \text{pullability} \times 0.110 \times \left(\frac{C_{t1}}{C_{t1} + C_{t2} + C_{trim}} \right) \text{ (ppm / LSB)}$$

Equation 5.3: Frequency Trim

Note:

F_x = crystal frequency

Pullability is a crystal parameter with units of ppm/pF.

Total trim range is 0 to 63.

If not specified, the pullability of a crystal may be calculated from its motional capacitance with Equation 5.4.

$$\frac{\partial(F_x)}{\partial(C_l)} = F_x \cdot \frac{C_m}{2(C_l + C_0)^2}$$

Equation 5.4: Pullability

Note:

C_0 = Crystal self capacitance (shunt capacitance)

C_m = Crystal motional capacitance (series branch capacitance in crystal model). See Figure 5.4.

It is a Bluetooth requirement that the frequency is always within ± 20 ppm. The trim range should be sufficient to pull the crystal within ± 5 ppm of the exact frequency. This leaves a margin of ± 15 ppm for frequency drift with ageing and temperature. A crystal with an ageing and temperature drift specification of better than ± 15 ppm is required.

5.4.3 Transconductance Driver Model

The crystal and its load capacitors should be viewed as a transimpedance element, whereby a current applied to one terminal generates a voltage at the other. The transconductance amplifier in BlueCore5-Multimedia Plug-n-Go uses the voltage at its input, XTAL_IN, to generate a current at its output, XTAL_OUT. Therefore, the circuit will oscillate if the transconductance, transimpedance product is greater than unity. For sufficient oscillation amplitude, the product should be greater than three. The transconductance required for oscillation is defined by the relationship shown in Equation 5.5.

$$g_m > 3 \frac{(2 \pi F_x)^2 R_m \left((C_0 + C_{int}) (C_{t1} + C_{t2} + C_{trim}) + C_{t1} (C_{t2} + C_{trim}) \right)}{C_{t1} (C_{t2} + C_{trim})}$$

Equation 5.5: Transconductance Required for Oscillation

BlueCore5-Multimedia Plug-n-Go guarantees a transconductance value of at least 2mA/V at maximum drive level.

Note:

More drive strength is required for higher frequency crystals, higher loss crystals (larger R_m) or higher capacitance loading.

Optimum drive level is attained when the level at XTAL_IN is approximately 1V pk-pk. The drive level is determined by the crystal driver transconductance.

5.4.4 Negative Resistance Model

An alternative representation of the crystal and its load capacitors is a frequency dependent resistive element. The driver amplifier may be considered as a circuit that provides negative resistance. For oscillation, the value of the negative resistance must be greater than that of the crystal circuit equivalent resistance. Although the BlueCore5-Multimedia Plug-n-Go crystal driver circuit is based on a transimpedance amplifier, an equivalent negative resistance can be calculated for it using Equation 5.6.

$$R_{neg} > \frac{C_{t1} (C_{t2} + C_{trim})}{g_m (2 \pi F_x)^2 (C_0 + C_{int}) \left((C_{t1} + C_{t2} + C_{trim}) + C_{t1} (C_{t2} + C_{trim}) \right)^2}$$

Equation 5.6: Equivalent Negative Resistance

This formula shows the negative resistance of the BlueCore5-Multimedia Plug-n-Go driver as a function of its drive strength.

The value of the driver negative resistance may be easily measured by placing an additional resistance in series with the crystal. The maximum value of this resistor (oscillation occurs) is the equivalent negative resistance of the oscillator.

5.4.5 Crystal PS Key Settings

The BlueCore5-Multimedia Plug-n-Go firmware automatically controls the drive level on the crystal circuit to achieve optimum input swing. The PS Key PSKEY_XTAL_TARGET_AMPLITUDE (0x24b) is used by the firmware to servo the required amplitude of crystal oscillation. Refer to the software build release note for a detailed description.

BlueCore5-Multimedia Plug-n-Go should be configured to operate with the chosen reference frequency.

6 Bluetooth Stack Microcontroller

The *microcontroller unit* (MCU), interrupt controller and event timer run the Bluetooth software stack and control the Bluetooth radio and host interfaces. A 16-bit *reduced instruction set computer* (RISC) microcontroller is used for low power consumption and efficient use of memory.

6.1 TCXO Enable OR Function

An OR function exists for clock enable signals from a host controller and BlueCore5-Multimedia Plug-n-Go where either device can turn on the clock without having to wake up the other device, see Figure 6.1. PIO[3] can be used as the host clock enable input and PIO[2] can be used as the OR output with the TCXO enable signal from BlueCore5-Multimedia Plug-n-Go.

Note:

To turn on the clock, the clock enable signal on PIO[3] must be high.

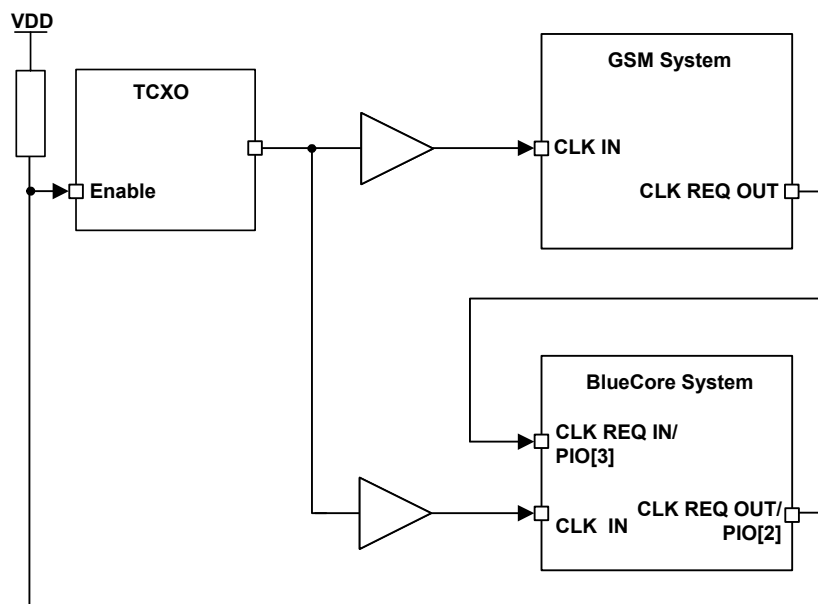


Figure 6.1: Example TCXO Enable OR Function

On reset and up to the time the PIO has been configured, PIO[2] is tri-state. Therefore, the developer must ensure that the circuitry connected to this pin is pulled via a 470kΩ resistor to the appropriate power rail. This ensures that the TCXO is oscillating at start up.

6.2 Programmable I/O (PIO) Parallel Ports

12 lines of programmable bi-directional *input/outputs* (I/O) are provided.

Note:

PIO[11:4] are powered from VDD_PADS and PIO[3:0] are powered from VDD_PIO. AIO[0:1] are powered from VDD_ANA.

Any of the PIO lines can be configured as interrupt request lines or as wake-up lines from sleep modes. PIO[6] or PIO[2] can be configured as a request line for an external clock source. Using PSKEY_CLOCK_REQUEST_ENABLE (0x246), this terminal can be configured to be low when BlueCore5-Multimedia Plug-n-Go is in Deep Sleep and high when a clock is required.

Note:

CSR cannot guarantee that the PIO assignments remain as described. Refer to the relevant software release note for the implementation of these PIO lines, as they are firmware build-specific.

BlueCore5-Multimedia Plug-n-Go has two general-purpose analogue interface pins, AIO[0:1], used to access internal circuitry and control signals. Auxiliary functions available on the analogue interface include a 10-bit ADC and a 8-bit DAC. Signals selectable on this interface include the band gap reference voltage and a variety of clock

signals: 64, 48, 32, 24, 16, 12, 8, 6 and 2MHz (outputted from AIO[0] only) and the XTAL and XTAL/2 clock frequency (outputted from AIO[0] and AIO[1]). When used with analogue signals the voltage range is constrained by the analogue supply voltage. When configured to drive out digital level signals (clocks) generated from within the analogue part of the device, the output voltage level is determined by VDD_ANA.

6.3 WLAN Coexistence Interface

Dedicated hardware is provided to implement a variety of coexistence schemes. Channel skipping AFH, priority signalling, channel signalling and host passing of channel instructions are all supported. The features are configured in firmware.

For more information see *Bluetooth and IEEE 802.11 b/g Coexistence Solutions Overview* from .

7 Kalimba DSP

The Kalimba DSP is an open platform Kalimba DSP allowing signal processing functions to be performed on over air data or CODEC data in order to enhance audio applications. The Kalimba DSP interfaces to other functional blocks within BlueCore5-Multimedia Plug-n-Go as shown in Figure 7.1.

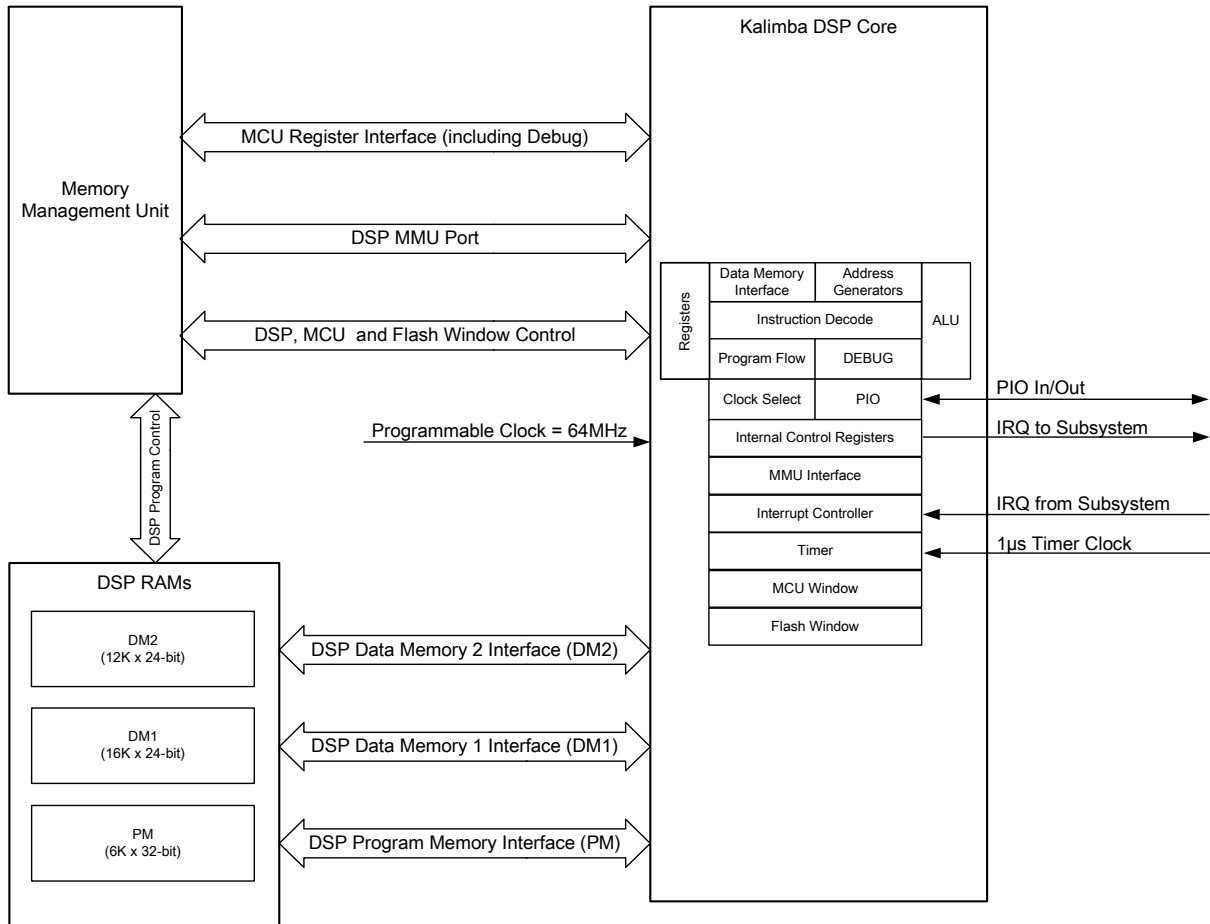


Figure 7.1: Kalimba DSP Interface to Internal Functions

The key features of the DSP include:

- 64MIPS performance, 24-bit fixed point DSP Core
- Single cycle MAC of 24 x 24-bit multiply and 56-bit accumulate
- 32-bit instruction word
- Separate program memory and dual data memory, allowing an ALU operation and up to two memory accesses in a single cycle
- Zero overhead looping
- Zero overhead circular buffer indexing
- Single cycle barrel shifter with up to 56-bit input and 24-bit output
- Multiple cycle divide (performed in the background)
- Bit reversed addressing
- Orthogonal instruction set
- Low overhead interrupt

8 Memory Interface and Management

8.1 Memory Management Unit

The *Memory Management Unit* (MMU) provides a number of dynamically allocated ring buffers that hold the data that is in transit between the host, the air or the Kalimba DSP. The dynamic allocation of memory ensures efficient use of the available *Random Access Memory* (RAM) and is performed by a hardware MMU to minimise the overheads on the processor during data/voice transfers.

8.2 System RAM

48-Kbyte of on-chip RAM supports the RISC MCU and is shared between the ring buffers used to hold voice/data for each active connection and the general-purpose memory required by the Bluetooth stack.

8.3 Kalimba DSP RAM

Additional on-chip RAM is provided to support the Kalimba DSP:

- 16K x 24-bit for data memory 1 (DM1)
- 12K x 24-bit for data memory 2 (DM2)
- 6K x 32-bit for program memory (PM)

Note:

The DSP can also execute directly from internal Flash, using a 64-instruction on-chip cache.

8.4 Internal Flash Memory (16-Mbit)

16-Mbit of internal Flash memory is available on the BlueCore5-Multimedia Plug-n-Go. The internal Flash memory is provided for system firmware and the Kalimba DSP co-processor code implementation.

The internal Flash memory provides 16-Mbit of internal code and data storage. This storage is used to store BlueCore5-Multimedia Plug-n-Go settings and program code, and Kalimba DSP co-processor code and data.

8.4.1 Flash Specification

The flash device used with BlueCore5-Multimedia Plug-n-Go meets the following criteria:

| Parameter | Value |
|-------------|---------|
| Data width | 16-bit |
| Capacity | 16-Mbit |
| Access time | 70ns |

Table 8.1: Internal Flash Device Specifications

9 Serial Interfaces

9.1 UART Interface

This is a standard UART interface for communicating with other serial devices.

BlueCore5-Multimedia Plug-n-Go UART interface provides a simple mechanism for communicating with other serial devices using the RS232 protocol.

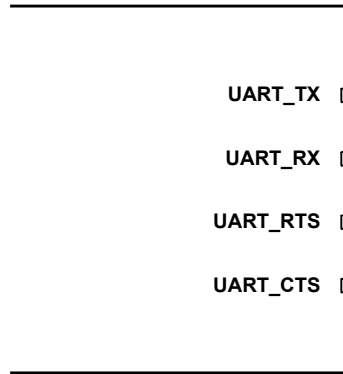


Figure 9.1: Universal Asynchronous Receiver

Four signals implement the UART function, as shown in Figure 9.1. When BlueCore5-Multimedia Plug-n-Go is connected to another digital device, UART_RX and UART_TX transfer data between the two devices. The remaining two signals, UART_CTS and UART_RTS, can be used to implement RS232 hardware flow control where both are active low indicators.

UART configuration parameters, such as baud rate and packet format, are set using BlueCore5-Multimedia Plug-n-Go firmware.

Note:

To communicate with the UART at its maximum data rate using a standard PC, an accelerated serial port adapter card is required for the PC.

| Parameter | | Possible Values |
|---------------------|---------|-------------------------------|
| Baud rate | Minimum | 1200 baud ($\leq 2\%$ Error) |
| | | 9600 baud ($\leq 1\%$ Error) |
| | Maximum | 4Mbaud ($\leq 1\%$ Error) |
| Flow control | | RTS/CTS or None |
| Parity | | None, Odd or Even |
| Number of stop bits | | 1 or 2 |
| Bits per byte | | 8 |

Table 9.1: Possible UART Settings

The UART interface can reset BlueCore5-Multimedia Plug-n-Go on reception of a break signal. A break is identified by a continuous logic low (0V) on the UART_RX terminal, as shown in Figure 9.2. If t_{BRK} is longer than the value, defined by the PS Key PSKEY_HOSTIO_UART_RESET_TIMEOUT, (0x1a4), a reset occurs. This feature allows a host to initialise the system to a known state. Also, BlueCore5-Multimedia Plug-n-Go can emit a break character that may be used to wake the host.



Figure 9.2: Break Signal

Note:

The DFU boot loader must be loaded into the Flash device before the UART or USB interfaces can be used. This initial flash programming can be done via the SPI.

Table 9.2 shows a list of commonly used baud rates and their associated values for the PS Key PSKEY_UART_BAUDRATE (0x1be). There is no requirement to use these standard values. Any baud rate within the supported range can be set in the PS Key according to the formula in Equation 9.1.

$$\text{Baud Rate} = \frac{\text{PSKEY_UART_BAUDRATE}}{0.004096}$$

Equation 9.1: Baud Rate

| Baud Rate | Persistent Store Value | | Error |
|-----------|------------------------|-------|--------|
| | Hex | Dec | |
| 1200 | 0x0005 | 5 | 1.73% |
| 2400 | 0x000a | 10 | 1.73% |
| 4800 | 0x0014 | 20 | 1.73% |
| 9600 | 0x0027 | 39 | -0.82% |
| 19200 | 0x004f | 79 | 0.45% |
| 38400 | 0x009d | 157 | -0.18% |
| 57600 | 0x00ec | 236 | 0.03% |
| 76800 | 0x013b | 315 | 0.14% |
| 115200 | 0x01d8 | 472 | 0.03% |
| 230400 | 0x03b0 | 944 | 0.03% |
| 460800 | 0x075f | 1887 | -0.02% |
| 921600 | 0x0ebf | 3775 | 0.00% |
| 1382400 | 0x161e | 5662 | -0.01% |
| 1843200 | 0x1d7e | 7550 | 0.00% |
| 2764800 | 0x2c3d | 11325 | 0.00% |
| 3686400 | 0x3afb | 15099 | 0.00% |

Table 9.2: Standard Baud Rates

9.1.1 UART Configuration While Reset is Active

The UART interface for BlueCore5-Multimedia Plug-n-Go is tri-state while the chip is being held in reset. This allows the user to daisy chain devices onto the physical UART bus. The constraint on this method is that any devices connected to this bus must tri-state when BlueCore5-Multimedia Plug-n-Go reset is de-asserted and the firmware begins to run.

9.1.2 UART Bypass Mode

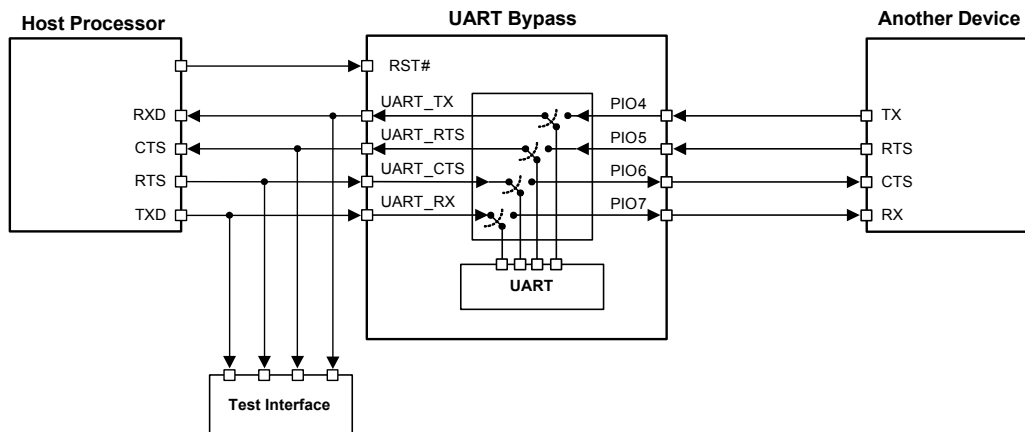


Figure 9.3: UART Bypass Architecture

Alternatively, for devices that do not tri-state the UART bus, the UART bypass mode on BlueCore5-Multimedia Plug-n-Go can be used. The default state of BlueCore5-Multimedia Plug-n-Go after reset is de-asserted; this is for the host UART bus to be connected to the BlueCore5-Multimedia Plug-n-Go UART, thereby allowing communication to BlueCore5-Multimedia Plug-n-Go via the UART. All UART bypass mode connections are implemented using CMOS technology and have signalling levels of 0V and VDD_PADS.

To apply the UART bypass mode, a BCCMD command is issued to BlueCore5-Multimedia Plug-n-Go. Upon this issue, it switches the bypass to PIO[7:4] as Figure 9.3 shows. When the bypass mode has been invoked, BlueCore5-Multimedia Plug-n-Go enters the Deep Sleep state indefinitely.

To re-establish communication with BlueCore5-Multimedia Plug-n-Go, the chip must be reset so that the default configuration takes effect.

It is important for the host to ensure a clean Bluetooth disconnection of any active links before the bypass mode is invoked. Therefore, it is not possible to have active Bluetooth links while operating the bypass mode.

9.1.3 Current Consumption in UART Bypass Mode

The current consumption for a device in UART bypass mode is equal to the values quoted for a device in standby mode.

9.2 USB Interface

This is a full speed (12Mbits/s) Universal Serial Bus (USB) interface for communicating with other compatible digital devices. BlueCore5-Multimedia Plug-n-Go acts as a USB peripheral, responding to requests from a master host controller such as a PC.

The USB interface is capable of driving a USB cable directly. No external USB transceiver is required. The device operates as a USB peripheral, responding to requests from a master host controller such as a PC. Both the OHCI and the UHCI standards are supported.

Note:

The set of USB endpoints implemented can behave as specified in the USB section of the Bluetooth v2.1 + EDR specification or alternatively can appear as a set of endpoints appropriate to USB audio devices such as speakers.

As USB is a master/slave oriented system (in common with other USB peripherals), BlueCore5-Multimedia Plug-n-Go only supports USB Slave operation.

9.2.1 USB Data Connections

The USB data lines emerge as pins USB_DP and USB_DN. These terminals are connected to the internal USB I/O buffers of the BlueCore5-Multimedia Plug-n-Go, therefore, have a low output impedance. To match the connection to the characteristic impedance of the USB cable, resistors must be placed in series with USB_DP/USB_DN and the cable.

9.2.2 USB Pull-up Resistor

BlueCore5-Multimedia Plug-n-Go features an internal USB pull-up resistor. This pulls the USB_DP pin weakly high when BlueCore5-Multimedia Plug-n-Go is ready to enumerate. It signals to the PC that it is a full-speed (12-Mbits/s) USB device.

The USB internal pull-up is implemented as a current source, and is compliant with section 7.1.5 of the USB specification v1.2. The internal pull-up pulls USB_DP high to at least 2.8V when loaded with a $15k\Omega \pm 5\%$ pull-down resistor (in the hub/host) when $VDD_USB=3.1V$. This presents a Thevenin resistance to the host of at least 900Ω . Alternatively, an external $1.5k\Omega$ pull-up resistor can be placed between a PIO line and D+ on the USB cable, see Section 9.2.4. The firmware must be alerted to which mode is used by setting PS Key PSKEY_USB_PIO_PULLUP appropriately. The default setting uses the internal pull-up resistor.

9.2.3 USB Power Supply

The USB specification dictates that the minimum output high voltage for USB data lines is 2.8V. To safely meet the USB specification, the voltage on the VDD_USB supply terminals must be an absolute minimum of 3.1V. CSR recommends 3.3V for optimal USB signal quality.

9.2.4 Self-powered Mode

In self-powered mode, the circuit is powered from its own power supply and not from the VBUS (5V) line of the USB cable. It draws only a small leakage current (below 0.5mA) from VBUS on the USB cable. This is the easier mode for which to design, as the design is not limited by the power that can be drawn from the USB hub or root port. However, it requires that VBUS be connected to BlueCore5-Multimedia Plug-n-Go via a resistor network (R_{vb1} and R_{vb2}), so BlueCore5-Multimedia Plug-n-Go can detect when VBUS is powered up. BlueCore5-Multimedia Plug-n-Go will not pull USB_DP high when VBUS is off.

Self-powered USB designs (powered from a battery or PSU) must ensure that a PIO line is allocated for USB pull-up purposes. A $1.5k\Omega \pm 5\%$ pull-up resistor between USB_DP and the selected PIO line should be fitted to the design. Failure to fit this resistor may result in the design failing to be USB compliant in self-powered mode. The internal pull-up in BlueCore5-Multimedia Plug-n-Go is only suitable for bus-powered USB devices, e.g. dongles.

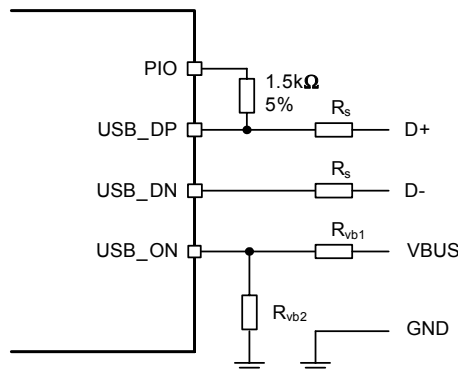


Figure 9.4: USB Connections for Self-Powered Mode

The terminal marked USB_ON can be any free PIO pin. The PIO pin selected must be registered by setting PSKEY_USB_PIO_VBUS to the corresponding pin number.

Note:

For the self-powered mode described in this section to function correctly, the PIO terminals selected in Figure 9.4 must be configured for 3.3V operation on the BlueCore5-Multimedia Plug-n-Go.

USB_ON is shared with BlueCore5-Multimedia Plug-n-Go PIO terminals.

| Identifier | Value | Function |
|------------|-----------------------|---------------------------------|
| R_s | 27 Ω nominal | Impedance matching to USB cable |
| R_{vb1} | 22k Ω \pm 5% | VBUS ON sense divider |
| R_{vb2} | 47k Ω \pm 5% | VBUS ON sense divider |

Table 9.3: USB Interface Component Values

9.2.5 Bus-powered Mode

In bus-powered mode, the application circuit draws its current from the 5V VBUS supply on the USB cable. BlueCore5-Multimedia Plug-n-Go negotiates with the PC during the USB enumeration stage about how much current it is allowed to consume.

For Class 2 Bluetooth applications, CSR recommends that the regulator used to derive 3.3V from VBUS is rated at 100mA average current and should be able to handle peaks of 120mA without foldback or limiting. In bus-powered mode, BlueCore5-Multimedia Plug-n-Go requests 100mA during enumeration.

For Class 1 Bluetooth applications, the USB power descriptor should be altered to reflect the amount of power required. This is accomplished by setting the PS Key PSKEY_USB_MAX_POWER (0x2c6). This is higher than for a Class 2 application due to the extra current drawn by the Transmit RF PA.

When selecting a regulator, be aware that VBUS may go as low as 4.4V. The inrush current (when charging reservoir and supply decoupling capacitors) is limited by the USB specification. See USB Specification v1.1, section 7.2.4.1. Some applications may require soft start circuitry to limit inrush current if more than 10 μ F is present between VBUS and GND.

The 5V VBUS line emerging from a PC is often electrically noisy. As well as regulation down to 3.3V and 1.8V, applications should include careful filtering of the 5V line to attenuate noise that is above the voltage regulator bandwidth. Excessive noise on the 1.8V supply to the analogue supply pins of BlueCore5-Multimedia Plug-n-Go results in reduced receive sensitivity and a distorted RF transmit signal.

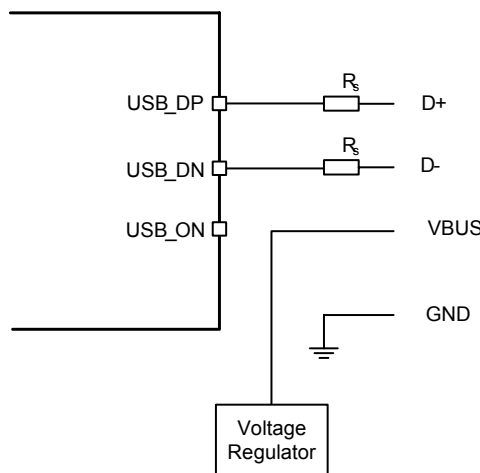


Figure 9.5: USB Connections for Bus-Powered Mode

9.2.6 Suspend Current

All USB devices must permit the USB controller to place them in a USB suspend mode. While in USB Suspend, bus-powered devices must not draw more than 0.5mA from USB VBUS (self-powered devices may draw more than 0.5mA from their own supply). This current draw requirement prevents operation of the radio by bus-powered devices during USB Suspend.

The voltage regulator circuit itself should draw only a small quiescent current (typically less than 100µA) to ensure adherence to the suspend current requirement of the USB specification. This is not normally a problem with modern regulators. Ensure that external LEDs and/or amplifiers can be turned off by BlueCore5-Multimedia Plug-n-Go. The entire circuit must be able to enter the suspend mode. Refer to separate CSR documentation for more details on USB Suspend.

9.2.7 Detach and Wake_Up Signalling

BlueCore5-Multimedia Plug-n-Go can provide out-of-band signalling to a host controller by using the control lines called USB_DETACH and USB_WAKE_UP. These are outside the USB specification (no wires exist for them inside the USB cable), but can be useful when embedding BlueCore5-Multimedia Plug-n-Go into a circuit where no external USB is visible to the user. Both control lines are shared with PIO pins and can be assigned to any PIO pin by setting the PS Keys PSKEY_USB_PIO_DETACH and PSKEY_USB_PIO_WAKEUP to the selected PIO number.

USB_DETACH is an input which, when asserted high, causes BlueCore5-Multimedia Plug-n-Go to put USB_DN and USB_DP in a high impedance state and turns off the pull-up resistor on DP. This detaches the device from the bus and is logically equivalent to unplugging the device. When USB_DETACH is taken low, BlueCore5-Multimedia Plug-n-Go will connect back to USB and await enumeration by the USB host.

USB_WAKE_UP is an active high output (used only when USB_DETACH is active) to wake up the host and allow USB communication to recommence. It replaces the function of the software USB WAKE_UP message (which runs over the USB cable) and cannot be sent while BlueCore5-Multimedia Plug-n-Go is effectively disconnected from the bus.

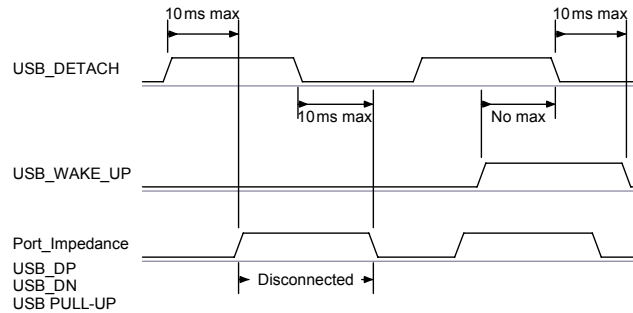


Figure 9.6: USB_DETACH and USB_WAKE_UP Signal

9.2.8 USB Driver

A USB device driver is required to provide a software interface between BlueCore5-Multimedia Plug-n-Go and the software running on the host computer. Suitable drivers are available from www.csrsupport.com.

9.2.9 USB 2.0 Compliance

BlueCore5-Multimedia Plug-n-Go is qualified to the USB specification v2.0, details of which are available from www.usb.org. The specification contains valuable information on aspects such as PCB track impedance, supply inrush current and product labelling.

BlueCore5-Multimedia Plug-n-Go is compatible with USB v2.0 host controllers; under these circumstances the two ends agree the mutually acceptable rate of 12Mbps/s according to the USB v2.0 specification.

Although BlueCore5-Multimedia Plug-n-Go meets the USB specification, CSR cannot guarantee that an application circuit designed around the chip is USB compliant. The choice of application circuit, component choice and PCB layout all affect USB signal quality and electrical characteristics. The information in this document is intended as a guide and should be read in association with the USB specification, with particular attention being given to Chapter 7. Independent USB qualification must be sought before an application is deemed USB compliant and can display the USB logo.

Terminals USB_DP and USB_DN adhere to the USB specification v2.0 (Chapter 7) electrical requirements.

9.3 Serial Peripheral Interface

The primary function of the SPI is for debug. BlueCore5-Multimedia Plug-n-Go uses a 16-bit data and 16-bit address SPI, where transactions may occur when the internal processor is running or is stopped. This section details the interface considerations for connection to BlueCore5-Multimedia Plug-n-Go .

Data may be written or read one word at a time, or the auto-increment feature is available for block access.

9.3.1 Instruction Cycle

The BlueCore5-Multimedia Plug-n-Go is the slave and receives commands on SPI_MOSI and outputs data on SPI_MISO. Table 9.4 shows the instruction cycle for an SPI transaction.

| | | |
|---|--------------------------|---|
| 1 | Reset the SPI interface | Hold SPI_CS# high for two SPI_CLK cycles |
| 2 | Write the command word | Take SPI_CS# low and clock in the 8-bit command |
| 3 | Write the address | Clock in the 16-bit address word |
| 4 | Write or read data words | Clock in or out 16-bit data word(s) |
| 5 | Termination | Take SPI_CS# high |

Table 9.4: Instruction Cycle for an SPI Transaction

With the exception of reset, SPI_CS# must be held low during the transaction. Data on SPI_MOSI is clocked into the BlueCore5-Multimedia Plug-n-Go on the rising edge of the clock line SPI_CLK. When reading, BlueCore5-Multimedia Plug-n-Go replies to the master on SPI_MISO with the data changing on the falling edge of the SPI_CLK. The master provides the clock on SPI_CLK. The transaction is terminated by taking SPI_CS# high.

Sending a command word and the address of a register for every time it is to be read or written is a significant overhead, especially when large amounts of data are to be transferred. To overcome this BlueCore5-Multimedia Plug-n-Go offers increased data transfer efficiency via an auto increment operation. To invoke auto increment, SPI_CS# is kept low, which auto increments the address, while providing an extra 16 clock cycles for each extra word to be written or read.

9.3.2 Writing to the Device

To write to BlueCore5-Multimedia Plug-n-Go, the 8-bit write command (00000010) is sent first (C[7:0]) followed by a 16-bit address (A[15:0]). The next 16-bits (D[15:0]) clocked in on SPI_MOSI are written to the location set by the address (A). Thereafter for each subsequent 16-bits clocked in, the address (A) is incremented and the data written to consecutive locations until the transaction terminates when SPI_CS# is taken high.

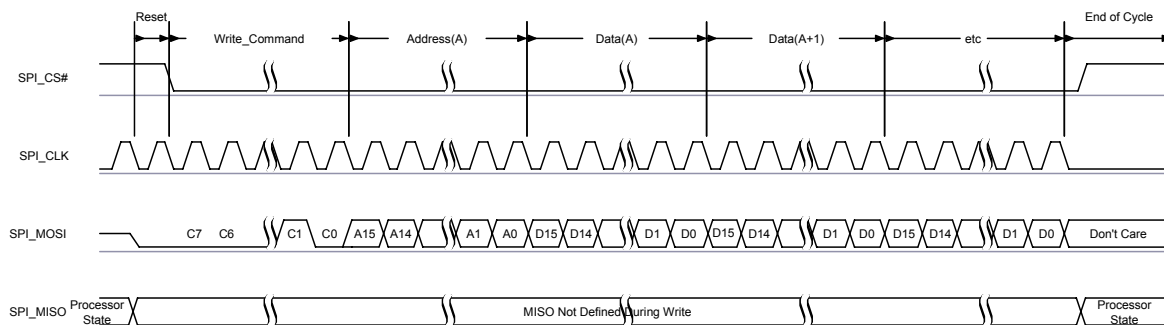


Figure 9.7: SPI Write Operation

9.3.3 Reading from the Device

Reading from BlueCore5-Multimedia Plug-n-Go is similar to writing to it. An 8-bit read command (00000011) is sent first (C[7:0]), followed by the address of the location to be read (A[15:0]). BlueCore5-Multimedia Plug-n-Go then outputs on SPI_MISO a check word during T[15:0] followed by the 16-bit contents of the addressed location during bits D[15:0].

The check word is composed of {command, address [15:8]}. The check word may be used to confirm a read operation to a memory location. This overcomes the problems encountered with typical serial peripheral interface slaves, whereby it is impossible to determine whether the data returned by a read operation is valid data or the result of the slave device not responding.

If SPI_CS# is kept low, data from consecutive locations is read out on SPI_MISO for each subsequent 16 clocks, until the transaction terminates when SPI_CS# is taken high.

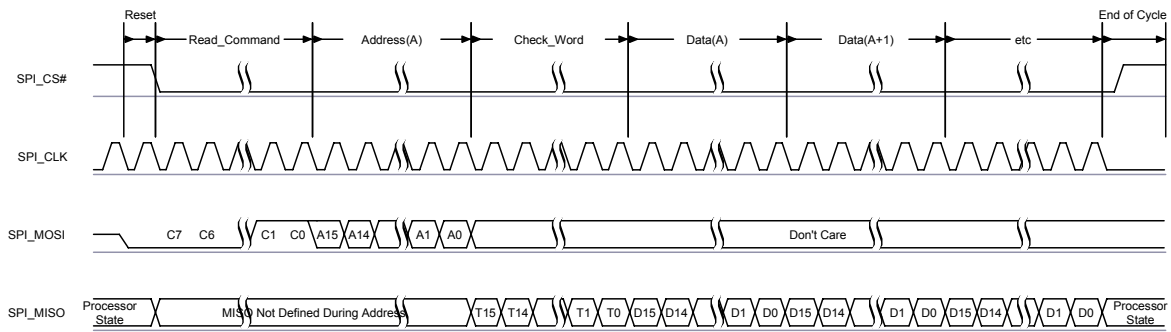


Figure 9.8: SPI Read Operation

9.3.4 Multi-slave Operation

BlueCore5-Multimedia Plug-n-Go should not be connected in a multi-slave arrangement by simple parallel connection of slave MISO lines. When BlueCore5-Multimedia Plug-n-Go is deselected (SPI_CS# = 1), the SPI_MISO line does not float. Instead, BlueCore5-Multimedia Plug-n-Go outputs 0 if the processor is running or 1 if it is stopped.

9.4 I²C Interface

9.4.1 Software I²C Interface

PIO[6:8] can be used to form a Master I²C interface. The interface is formed using software to drive these lines. Therefore it is suited only to relatively slow functions such as driving a dot matrix *liquid crystal display* (LCD), keyboard scanner or EEPROM.

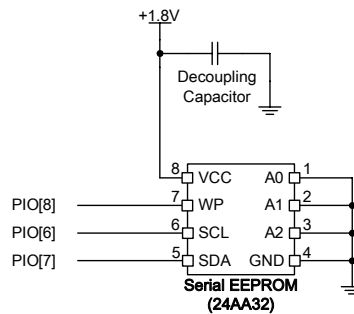


Figure 9.9: Example EEPROM Connection

9.4.2 Bit-serialiser Interface

In addition to the software I²C interface outlined in Section 9.4.1, the BlueCore5-Multimedia Plug-n-Go includes a configurable hardware bit-serialiser interface. Any three PIOs can be used as a serial master interface by configuring the hardware bit-serialiser. In the I²C master mode, the hardware bit-serialiser supports address, direction and ACK handling, but does not support multi-master I²C bus systems. I²C slave mode is also not supported.

Note:

- The I²C interface can be directly controlled by the MCU or the Kalimba DSP.
- Suitable firmware is required to support the hardware bit-serialiser interface.
- I²C and SPI are supported.

10 Audio Interface

The audio interface circuit consists of:

- Stereo audio CODEC
- Dual audio inputs and outputs
- A configurable PCM, I²S or SPDIF interface

Figure 10.1 shows the functional blocks of the interface. The CODEC supports stereo playback and recording of audio signals at multiple sample rates with a resolution of 16-bit. The ADC and the DAC of the CODEC each contain two independent channels. Any ADC or DAC channel can be run at its own independent sample rate.

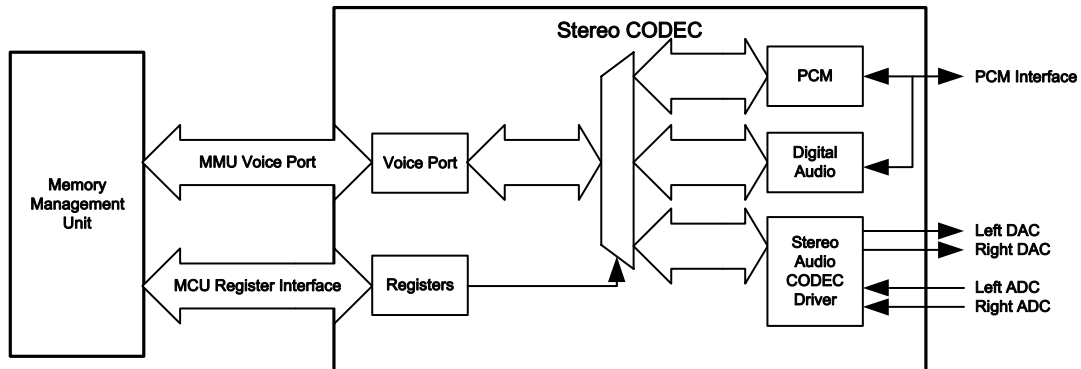


Figure 10.1: Audio Interface

The interface for the digital audio bus shares the same pins as the PCM CODEC interface described in Section 10.3 which means each of the audio buses are mutually exclusive in their usage. Table 10.1 lists these alternative functions.

| PCM Interface | SPDIF Interface | I ² S Interface |
|---------------|-----------------|----------------------------|
| PCM_OUT | SPDIF_OUT | SD_OUT |
| PCM_IN | SPDIF_IN | SD_IN |
| PCM_SYNC | - | WS |
| PCM_CLK | - | SCK |

Table 10.1: Alternative Functions of the Digital Audio Bus Interface on the PCM Interface

10.1 Audio Input and Output

The audio input circuitry consists of a dual audio input that can be configured to be either single-ended or fully differential and programmed for either microphone or line input. It has an analogue and digital programmable gain stage for optimisation of different microphones.

The audio output circuitry consists of a dual differential class A-B output stage.

10.2 Stereo Audio CODEC Interface

The main features of the interface are:

- Stereo and mono analogue input for voice band and audio band
- Stereo and mono analogue output for voice band and audio band
- Support for stereo digital audio bus standards such as I²S
- Support for IEC-60958 standard stereo digital audio bus standards, e.g. S/PDIF and AES3/EBU
- Support for PCM interfaces including PCM master CODECs that require an external system clock

Important Note:

To avoid any confusion regarding stereo operation this data sheet explicitly states which is the left and right channel for audio input and output. With respect to software and any registers, channel 0 or channel A represents the left channel and channel 1 or channel B represents the right channel for both input and output.

10.2.1 Stereo Audio CODEC Block Diagram

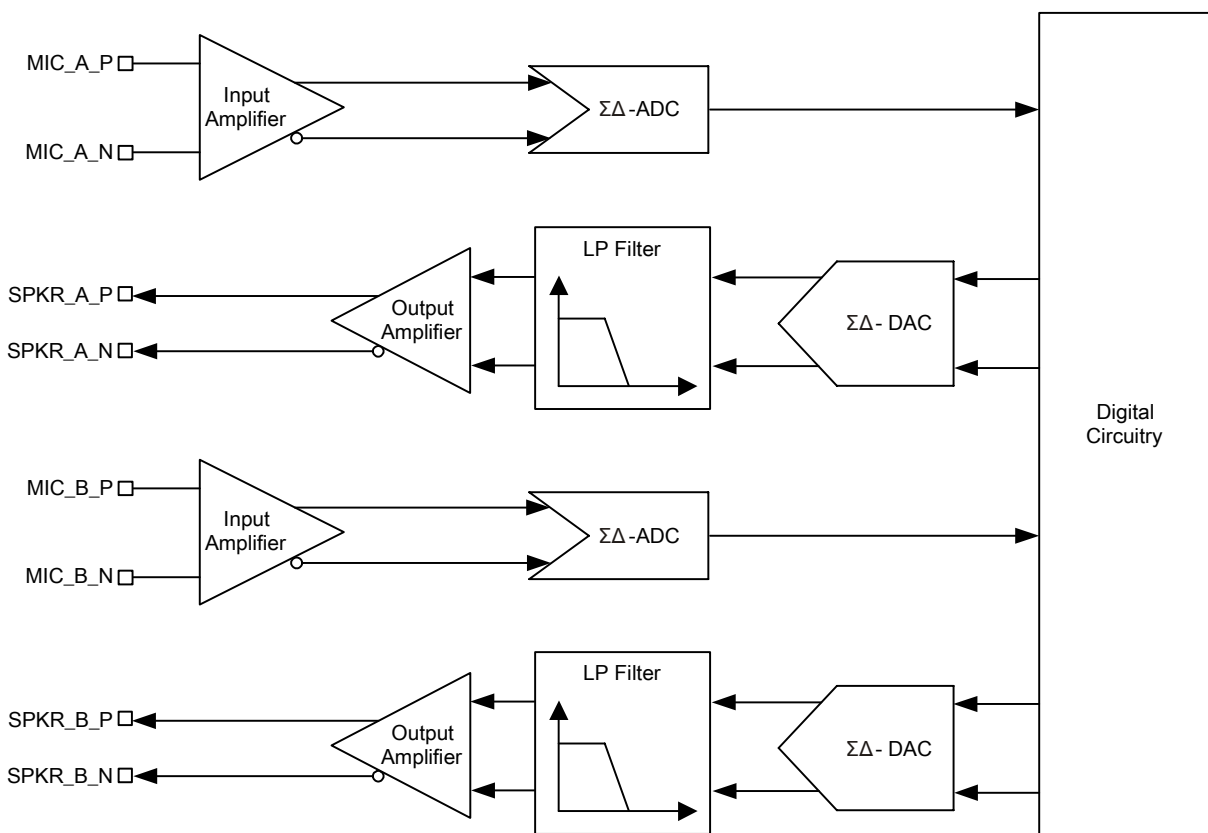


Figure 10.2: Stereo CODEC Audio Input and Output Stages

The Stereo audio CODEC uses a fully differential architecture in the analogue signal path, which results in low noise sensitivity and good power supply rejection while effectively doubling the signal amplitude. It operates from a single power-supply of 1.5V and uses a minimum of external components.

10.2.2 Stereo CODEC Set-up

The configuration and control of the ADC is through VM functions described in appropriate BlueLab Multimedia documentation. This section is an overview of the parameters that can be set up using the VM functions.

The Kalimba DSP can communicate its CODEC requirements to the MCU, and therefore also to the VM, by exchange of messages. The messages used between the Kalimba DSP and the embedded MCU are based on interrupts:

- 1 interrupt between the MCU and Kalimba DSP
- 1 interrupt between the Kalimba DSP and the MCU

Message content is transmitted using shared memory. There are VM and DSP library functions to send and receive messages; refer to BlueLab Multimedia documentation for further details.

10.2.3 ADC

The ADC consists of:

- Two second-order Sigma Delta converters allowing two separate channels that are identical in functionality, as shown in Figure 10.2.
- Two gain stages for each channel, one of which is an analogue gain stage and the other is a digital gain stage.

10.2.4 ADC Sample Rate Selection

Each ADC supports the following sample rates:

- 8kHz
- 11.025kHz
- 16kHz
- 22.05kHz
- 24kHz
- 32kHz
- 44.1kHz

10.2.5 ADC Digital Gain

The digital gain stage has a programmable selection value in the range of 0 to 15 with the associated ADC gain settings summarised in Table 10.2. There is also a high resolution digital gain mode that allows the gain to be changed in 1/32dB steps. Contact CSR for more information.

| Gain Selection Value | ADC Digital Gain Setting (dB) |
|----------------------|-------------------------------|
| 0 | 0 |
| 1 | 3.5 |
| 2 | 6 |
| 3 | 9.5 |
| 4 | 12 |
| 5 | 15.5 |
| 6 | 18 |
| 7 | 21.5 |
| 8 | -24 |
| 9 | -20.5 |
| 10 | -18 |
| 11 | -14.5 |
| 12 | -12 |
| 13 | -8.5 |
| 14 | -6 |
| 15 | -2.5 |

Table 10.2: ADC Digital Gain Rate Selection

10.2.6 ADC Analogue Gain

Figure 10.3 shows the equivalent block diagram for the ADC analogue amplifier. It is a two-stage amplifier:

- The first stage amplifier has a selectable gain of either bypass for line input mode or gain of 24dB gain for the microphone mode.
- The second stage has a programmable gain with seven individual 3dB steps. By combining the 24dB gain selection of the microphone input with the seven individual 3dB gain steps, the overall range of the analogue amplifier is approximately -3dB to 42dB in 3dB steps. All gain control of the ADC is controlled by a VM function.

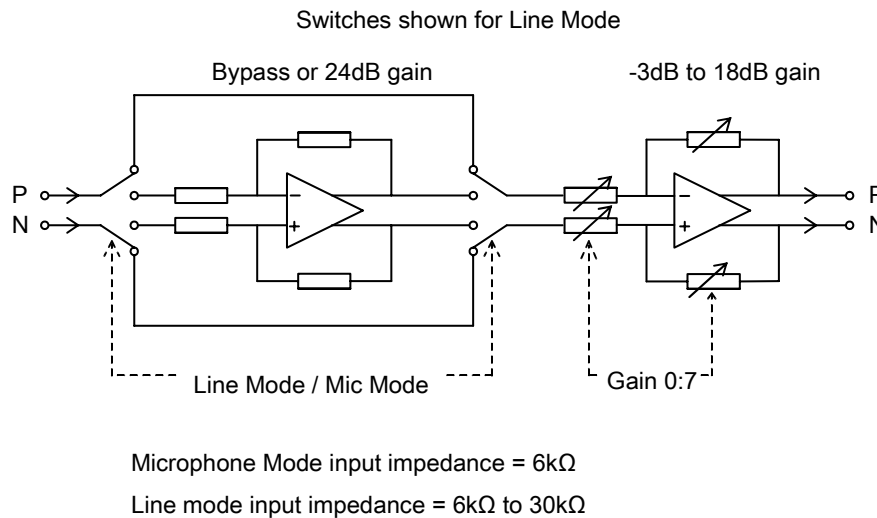


Figure 10.3: ADC Analogue Amplifier Block Diagram

10.2.7 DAC

The DAC consists of:

- Two second-order Sigma Delta converters allowing two separate channels that are identical in functionality, as shown in Figure 10.2.
- Two gain stages for each channel, one of which is an analogue gain stage and the other is a digital gain stage.

10.2.8 DAC Sample Rate Selection

Each DAC supports the following samples rates:

- 8kHz
- 11.025kHz
- 12kHz
- 16kHz
- 22.050kHz
- 24kHz
- 32kHz
- 44.1kHz
- 48kHz

10.2.9 DAC Digital Gain

The digital gain stage has a programmable selection value in the range of 0 to 15 with associated DAC gain settings, summarised in Table 10.3. There is also a high resolution digital gain mode that allows the gain to be changed in 1/32dB steps. Contact CSR for more information.

The overall gain control of the DAC is controlled by a VM function. Its setting is a combined function of the digital and analogue amplifier settings.

| Digital Gain Selection Value | DAC Digital Gain Setting (dB) |
|------------------------------|-------------------------------|
| 0 | 0 |
| 1 | 3.5 |
| 2 | 6 |
| 3 | 9.5 |
| 4 | 12 |
| 5 | 15.5 |
| 6 | 18 |
| 7 | 21.5 |
| 8 | -24 |
| 9 | -20.5 |
| 10 | -18 |
| 11 | -14.5 |
| 12 | -12 |
| 13 | -8.5 |
| 14 | -6 |
| 15 | -2.5 |

Table 10.3: DAC Digital Gain Rate Selection

10.2.10 DAC Analogue Gain

The DAC analogue gain stage consists of eight gain selection values that represent seven 3dB steps, as shown in Table 10.4.

The overall gain control of the DAC is controlled by a VM function. Its setting is a combined function of the digital and analogue amplifier settings.

| Analogue Gain Selection Value | DAC Analogue Gain Setting (dB) |
|-------------------------------|--------------------------------|
| 7 | 3 |
| 6 | 0 |
| 5 | -3 |
| 4 | -6 |
| 3 | -9 |
| 2 | -12 |
| 1 | -15 |
| 0 | -18 |

Table 10.4: DAC Analogue Gain Rate Selection

10.2.11 Microphone Input

The microphone for each channel should be biased as shown in Figure 10.4. The microphone bias, MIC_BIAS, derives its power from the BAT_P and requires a 1 μ F capacitor on its output.

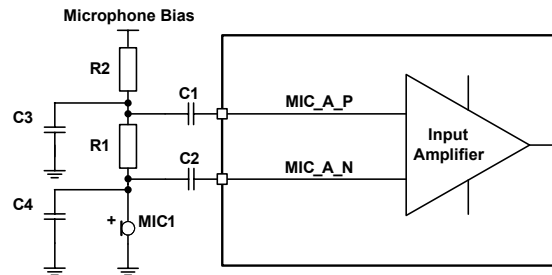


Figure 10.4: Microphone Biasing (Single Channel Shown)

The MIC_BIAS is like any voltage regulator and requires a minimum load to maintain regulation. The MIC_BIAS maintains regulation within the limits 0.200 - 1.230mA. If the microphone sits below these limits, then the microphone output must be pre-loaded with a large value resistor to ground.

The audio input is intended for use in the range from 1 μ A@94dB SPL to about 10 μ A@94dB SPL. With biasing resistors R1 and R2 equal to 1k Ω , this requires microphones with sensitivity between about -40dBV and -60dBV.

The input impedance at MIC_A_N, MIC_A_P, MIC_B_N and MIC_B_P is typically 6.0k Ω .

C1 and C2 should be 150nF if bass roll-off is required to limit wind noise on the microphone.

R1 sets the microphone load impedance and is normally in a range of 1 - 2k Ω .

R2, C3 and C4 improve the supply rejection by decoupling supply noise from the microphone. Values should be selected as required. R2 may be connected to a convenient supply, in which case the bias network is permanently enabled, or to the MIC_BIAS output (which is ground referenced and provides good rejection of the supply), which may be configured to provide bias only when the microphone is required.

The microphone bias provides a 4-bit programmable output voltage, shown in Table 10.5, with a 4-bit programmable output current, shown in Table 10.6.

The characteristics of the microphone bias include:

- Power supply:
 - BlueCore5-Multimedia Plug-n-Go microphone supply is BAT_P
 - Minimum input voltage = Output voltage + drop-out voltage
 - Maximum input voltage is 4.4V
 - Typically the microphone bias is at the same level as VDD_AUDIO (1.5V)
- Drop-out voltage:
 - 300mV minimum
 - Guaranteed for configuration of voltage or current output shown in Table 10.5 and Table 10.6
- Output voltage:
 - 4-bit programmable between 1.7 - 3.6V
 - Tolerance 90 - 110%
- Output current:
 - 4-bit programmable between 200 μ A – 1.230mA
 - Maximum current guaranteed to be >1mA
- Load capacitance:
 - Unconditionally stable for 1 μ F \pm 20% and 2.2 μ F \pm 20% pure C

| Output Step | VOL_SET[3:0] | Min | Typ | Max | Units |
|-------------|--------------|-----|------|-----|-------|
| 0 | 0000 | - | 1.71 | - | V |
| 1 | 0001 | - | 1.76 | - | V |
| 2 | 0010 | - | 1.82 | - | V |
| 3 | 0011 | - | 1.87 | - | V |
| 4 | 0100 | - | 1.95 | - | V |
| 5 | 0101 | - | 2.02 | - | V |
| 6 | 0110 | - | 2.10 | - | V |
| 7 | 0111 | - | 2.18 | - | V |
| 8 | 1000 | - | 2.32 | - | V |
| 9 | 1001 | - | 2.43 | - | V |
| 10 | 1010 | - | 2.56 | - | V |
| 11 | 1011 | - | 2.69 | - | V |
| 12 | 1100 | - | 2.90 | - | V |
| 13 | 1101 | - | 3.08 | - | V |
| 14 | 1110 | - | 3.33 | - | V |
| 15 | 1111 | - | 3.57 | - | V |

Table 10.5: Voltage Output Steps

| Output Step | CUR_SET[3:0] | Typ | Units |
|-------------|--------------|-------|-------|
| 0 | 0000 | 0.200 | mA |
| 1 | 0001 | 0.280 | mA |
| 2 | 0010 | 0.340 | mA |
| 3 | 0011 | 0.420 | mA |
| 4 | 0100 | 0.480 | mA |
| 5 | 0101 | 0.530 | mA |
| 6 | 0110 | 0.610 | mA |
| 7 | 0111 | 0.670 | mA |
| 8 | 1000 | 0.750 | mA |
| 9 | 1001 | 0.810 | mA |
| 10 | 1010 | 0.860 | mA |
| 11 | 1011 | 0.950 | mA |
| 12 | 1100 | 1.000 | mA |
| 13 | 1101 | 1.090 | mA |
| 14 | 1110 | 1.140 | mA |
| 15 | 1111 | 1.230 | mA |

Table 10.6: Current Output Steps
Note:

For BAT_P, the PSRR @ 100Hz - 22kHz, with >300mV supply headroom, decoupling capacitor of 1.1 μ F, is typically 58.9dB and worst case 53.4dB.

For VDD_AUDIO, the PSRR @ 100Hz - 22kHz, decoupling capacitor of 1.1 μ F, is typically 88dB and worst case 60dB.

10.2.12 Line Input

If the input analogue gain is set to less than 24dB, BlueCore5-Multimedia Plug-n-Go automatically selects line input mode. In line input mode the first stage of the amplifier is automatically disabled, providing additional power saving. In line input mode the input impedance varies from 6k Ω - 30k Ω , depending on the volume setting. Figure 10.5 and Figure 10.6 show two circuits for line input operation and show connections for either differential or single-ended inputs.

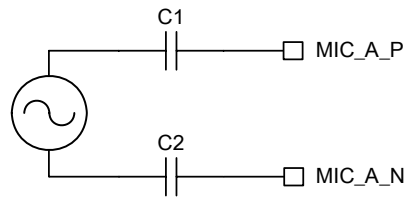


Figure 10.5: Differential Input (Single Channel Shown)

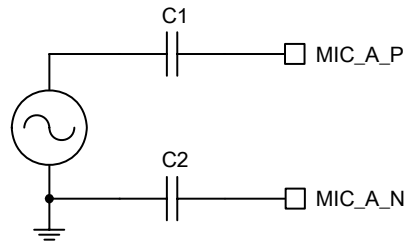


Figure 10.6: Single-Ended Input (Single Channel Shown)

10.2.13 Output Stage

The output stage digital circuitry converts the signal from 16-bit per sample, linear PCM of variable sampling frequency to bit stream, which is fed into the analogue output circuitry.

The output stage circuit comprises a DAC with gain setting and class AB output stage amplifier. The output is available as a differential signal between SPKR_A_N and SPKR_A_P for the left channel, as shown in Figure 10.7, and between SPKR_B_N and SPKR_B_P for the right channel.

The output stage is capable of driving a speaker directly when its impedance is at least 8Ω and an external regulator is used, but this will be at a reduced output swing.

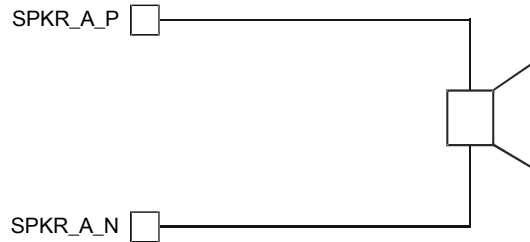


Figure 10.7: Speaker Output (Single Channel Shown)

The analogue gain of the output stage is controlled by a 3-bit programmable resistive divider, which sets the gain in steps of approximately 3dB.

10.2.14 Mono Operation

Mono operation is a single-channel operation of the stereo CODEC. The left channel represents the single mono channel for audio in and audio out. In mono operation the right channel is auxiliary mono channel that may be used in dual mono channel operation.

With single mono, the power consumption can be reduced by disabling the other channel.

Important Note:

For mono operation this data sheet uses the left channel for standard mono operation for audio input and output and with respect to software and any registers, channel 0 or channel A represents the standard mono channel for audio input and output. In mono operation the second channel which is the right channel, channel 1 or channel B could be used as a second mono channel if required and this channel is referred to as the auxiliary mono channel for audio input and output.

10.2.15 Side Tone

In some applications it is necessary to implement side tone. This involves feeding an attenuated version of the microphone signal to the earpiece. The BlueCore5-Multimedia Plug-n-Go CODEC contains side tone circuitry to do this. The side tone hardware is configured through the the following PS Keys:

- SIDE_TONE_ENABLE
- SIDE_TONE_GAIN
- SIDE_TONE_AFTER_ADC
- SIDE_TONE_AFTER_DAC

10.2.16 Integrated Digital Filter

BlueCore5-Multimedia Plug-n-Go has a programmable digital filter integrated into the ADC channel of the CODEC. The filter is a two stage, second order *infinite impulse response* (IIR) and can be used for functions such as custom wind noise rejection. The filter also has optional DC blocking.

The filter has 10 configuration words used as follows:

- 1 for gain value
- 8 for coefficient values
- 1 for enabling and disabling the DC blocking

The gain and coefficients are all 12-bit 2's complement signed integer with the format XX . XXXXXXXXXXXX

Note:

The position of the binary point is between bit 10 and bit 9, where bit 11 is the most significant bit.

For example:

01.1111111111 = most positive number, close to +2

01.0000000000 = 1

00.0000000000 = 0

11.0000000000 = -1

10.0000000000 = -2, most negative number

The equation for the IIR filter is shown in Equation 10.1. When the DC blocking is enabled the equation is shown in Equation 10.2.

The filter can be configured, enabled and disabled from the VM via the `CodecSetIIRFilterA` and `CodecSetIIRFilterB` traps². The configuration function takes 10 variables in the order shown below:

- 0 : Gain
- 1 : b_{01}
- 2 : b_{02}
- 3 : a_{01}
- 4 : a_{02}
- 5 : b_{11}
- 6 : b_{12}
- 7 : a_{11}
- 8 : a_{12}
- 9 : DC Block (1 = enable, 0 = disable)

$$\text{Filter, } H(z) = \text{Gain} \times \frac{(1 + b_{01} z^{-1} + b_{02} z^{-2})}{(1 + a_{01} z^{-1} + a_{02} z^{-2})} \times \frac{(1 + b_{11} z^{-1} + b_{12} z^{-2})}{(1 + a_{11} z^{-1} + a_{12} z^{-2})}$$

Equation 10.1: IIR Filter Transfer Function, $H(z)$

$$\text{Filter with DC Blocking, } H_{DC}(z) = H(z) \times (1 - z^{-1})$$

Equation 10.2: IIR Filter plus DC Blocking Transfer Function, $H_{DC}(z)$

10.3 PCM Interface

The audio *pulse code modulation* (PCM) interface supports continuous transmission and reception of PCM encoded audio data over Bluetooth.

² Requires firmware support

PCM is a standard method used to digitise audio (particularly voice) for transmission over digital communication channels. Through its PCM interface, BlueCore5-Multimedia Plug-n-Go has hardware support for continual transmission and reception of PCM data, so reducing processor overhead. BlueCore5-Multimedia Plug-n-Go offers a bi-directional digital audio interface that routes directly into the baseband layer of the on-chip firmware. It does not pass through the HCI protocol layer.

Hardware on BlueCore5-Multimedia Plug-n-Go allows the data to be sent to and received from a SCO connection. Up to three SCO connections can be supported by the PCM interface at any one time.

BlueCore5-Multimedia Plug-n-Go can operate as the PCM interface master generating PCM_SYNC and PCM_CLK or as a PCM interface slave accepting externally generated PCM_SYNC and PCM_CLK. BlueCore5-Multimedia Plug-n-Go is compatible with various clock formats, including Long Frame Sync, Short Frame Sync and GCI timing environments.

It supports 13-bit or 16-bit linear, 8-bit μ -law or A-law companded sample formats, and can receive and transmit on any selection of three of the first four slots following PCM_SYNC. The PCM configuration options are enabled by setting the PS Key PS KEY_PCM_CONFIG32 (0x1b3).

10.3.1 PCM Interface Master/Slave

When configured as the master of the PCM interface, BlueCore5-Multimedia Plug-n-Go generates PCM_CLK and PCM_SYNC.

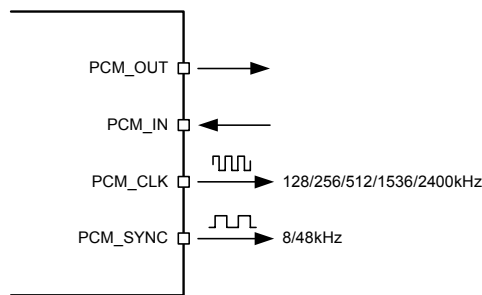


Figure 10.8: PCM Interface Master

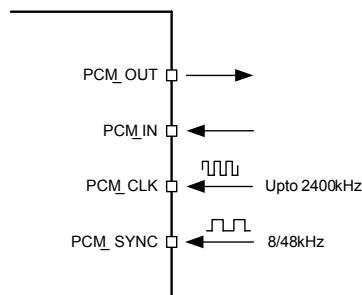
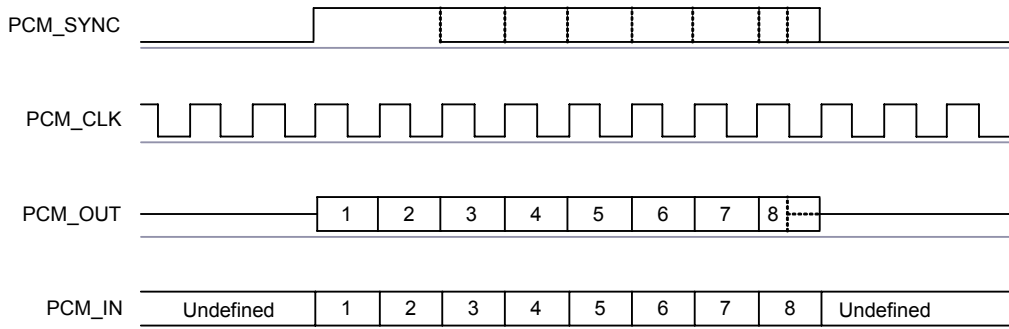


Figure 10.9: PCM Interface Slave

10.3.2 Long Frame Sync

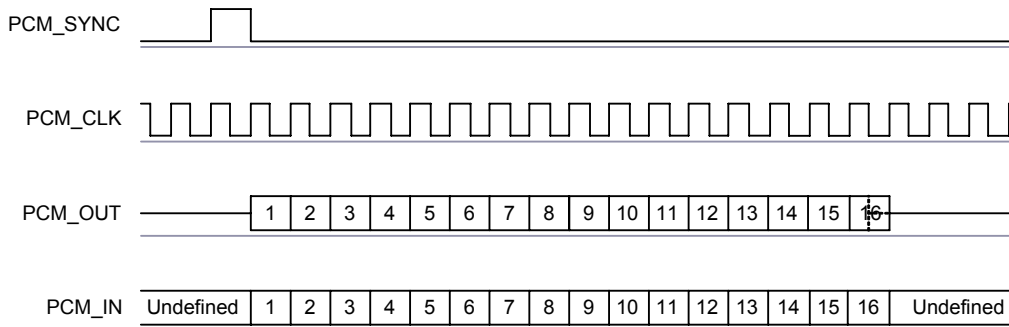
Long Frame Sync is the name given to a clocking format that controls the transfer of PCM data words or samples. In Long Frame Sync, the rising edge of PCM_SYNC indicates the start of the PCM word. When BlueCore5-Multimedia Plug-n-Go is configured as PCM master, generating PCM_SYNC and PCM_CLK, then PCM_SYNC is 8-bits long. When BlueCore5-Multimedia Plug-n-Go is configured as PCM Slave, PCM_SYNC may be from one cycle PCM_CLK to half the PCM_SYNC rate.


Figure 10.10: Long Frame Sync (Shown with 8-bit Companded Sample)

BlueCore5-Multimedia Plug-n-Go samples PCM_IN on the falling edge of PCM_CLK and transmits PCM_OUT on the rising edge. PCM_OUT may be configured to be high impedance on the falling edge of PCM_CLK in the LSB position or on the rising edge.

10.3.3 Short Frame Sync

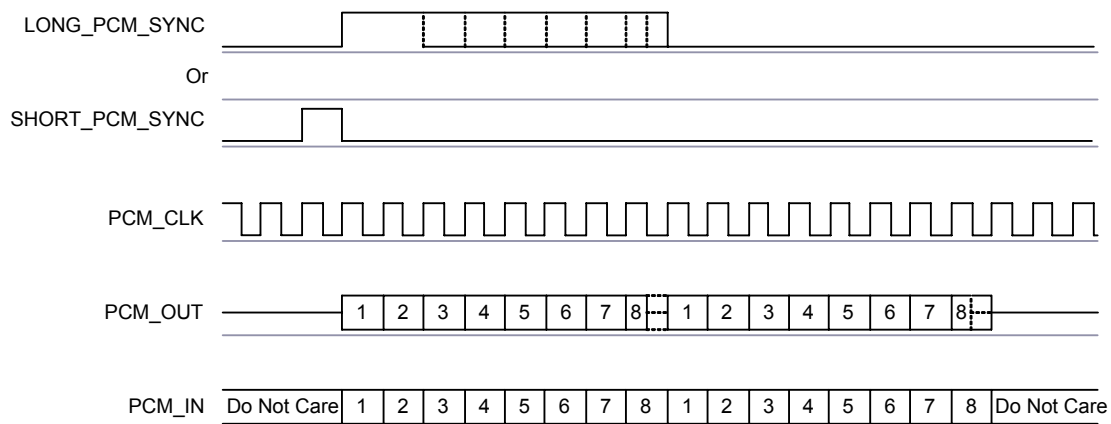
In Short Frame Sync, the falling edge of PCM_SYNC indicates the start of the PCM word. PCM_SYNC is always one clock cycle long.


Figure 10.11: Short Frame Sync (Shown with 16-bit Sample)

As with Long Frame Sync, BlueCore5-Multimedia Plug-n-Go samples PCM_IN on the falling edge of PCM_CLK and transmits PCM_OUT on the rising edge. PCM_OUT may be configured to be high impedance on the falling edge of PCM_CLK in the LSB position or on the rising edge.

10.3.4 Multi-slot Operation

More than one SCO connection over the PCM interface is supported using multiple slots. Up to three SCO connections can be carried over any of the first four slots.


Figure 10.12: Multi-slot Operation with Two Slots and 8-bit Companded Samples

10.3.5 GCI Interface

BlueCore5-Multimedia Plug-n-Go is compatible with the *General Circuit Interface* (GCI), a standard synchronous 2B +D ISDN timing interface. The two 64kbps B channels can be accessed when this mode is configured.

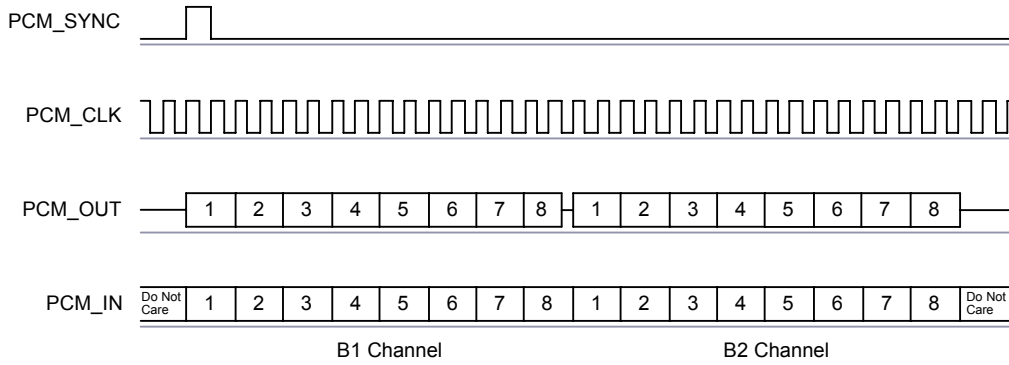


Figure 10.13: GCI Interface

The start of frame is indicated by the rising edge of PCM_SYNC and runs at 8kHz.

10.3.6 Slots and Sample Formats

BlueCore5-Multimedia Plug-n-Go can receive and transmit on any selection of the first four slots following each sync pulse. Slot durations can be either 8 or 16 clock cycles. Durations of 8 clock cycles may only be used with 8-bit sample formats. Durations of 16 clocks may be used with 8-bit, 13-bit or 16-bit sample formats.

BlueCore5-Multimedia Plug-n-Go supports 13-bit linear, 16-bit linear and 8-bit μ -law or A-law sample formats. The sample rate is 8ksamples/s. The bit order may be little or big endian. When 16-bit slots are used, the 3 or 8 unused bits in each slot may be filled with sign extension, padded with zeros or a programmable 3-bit audio attenuation compatible with some Motorola CODECs.

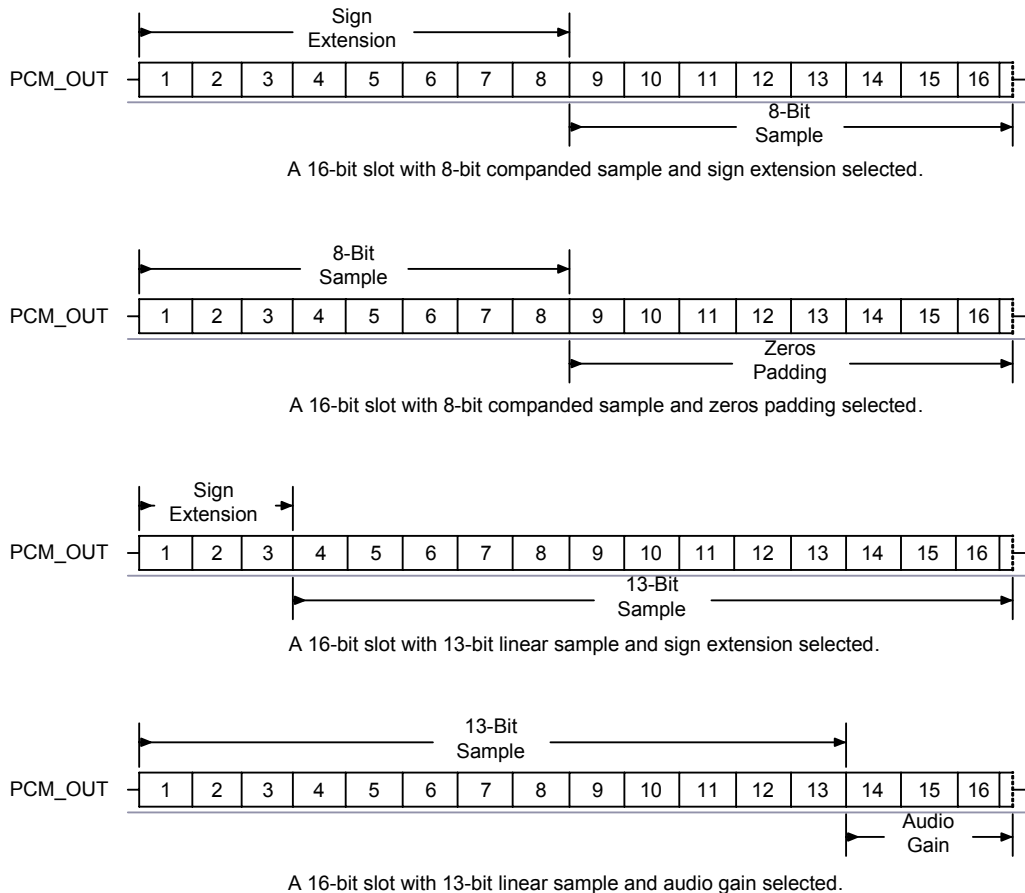


Figure 10.14: 16-Bit Slot Length and Sample Formats

10.3.7 Additional Features

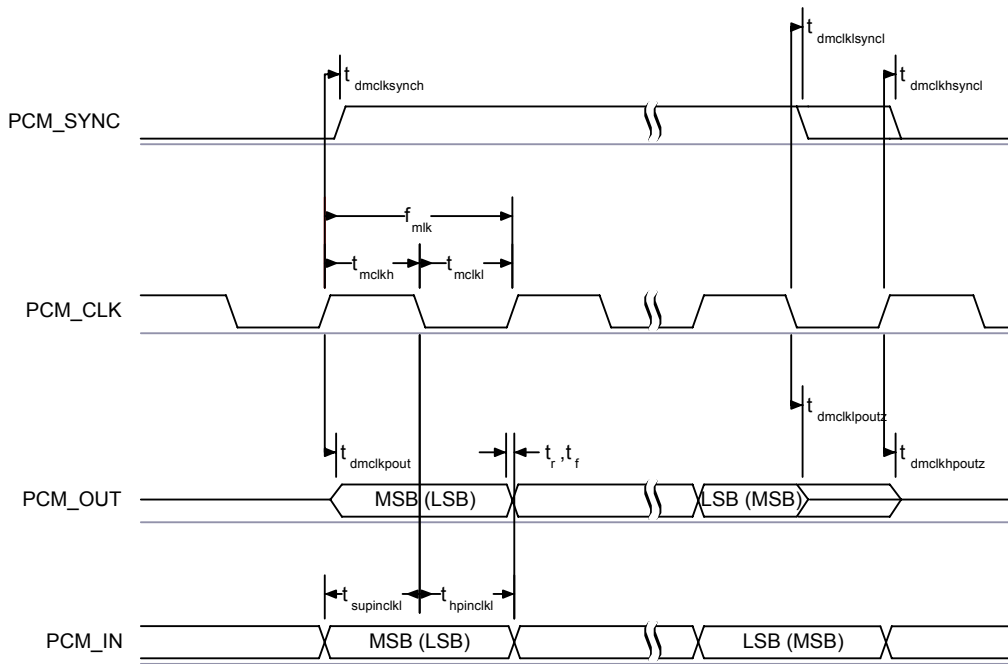
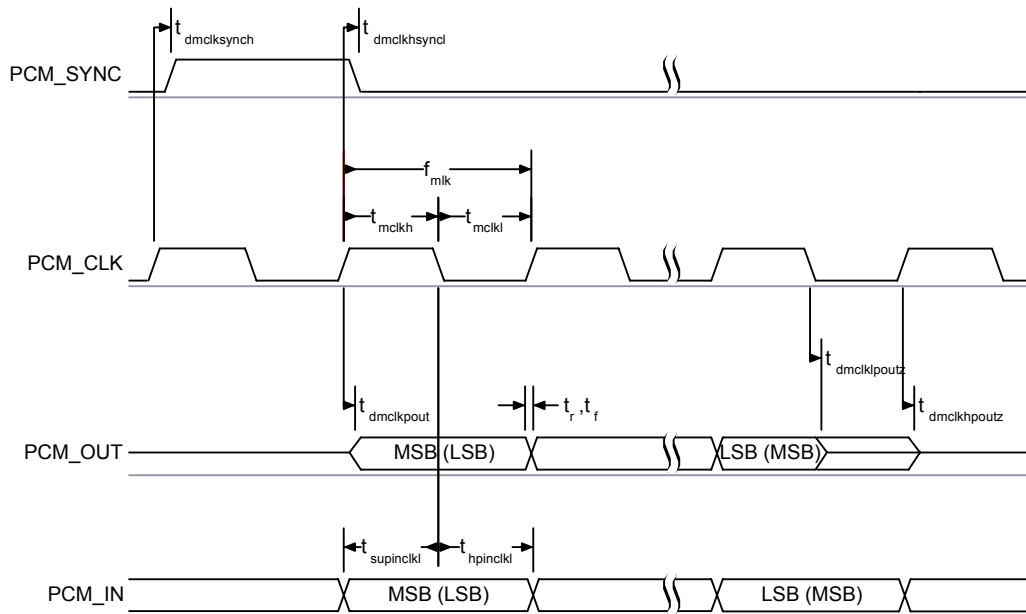
BlueCore5-Multimedia Plug-n-Go has a mute facility that forces PCM_OUT to be 0. In master mode, PCM_SYNC may also be forced to 0 while keeping PCM_CLK running which some CODECs use to control power down.

10.3.8 PCM Timing Information

| Symbol | Parameter | | Min | Typ | Max | Unit |
|-----------------------------------|--|--|-----|-----|-----|----------|
| f _{mclk} | PCM_CLK frequency | 4MHz DDS generation. Selection of frequency is programmable. See Table 10.10. | - | 128 | - | kHz |
| | | | | 256 | | |
| | | | | 512 | | |
| | | 48MHz DDS generation. Selection of frequency is programmable. See Table 10.9 and Section 10.3.9. | 2.9 | - | - | kHz |
| - | PCM_SYNC frequency for SCO connection | | - | 8 | - | kHz |
| t _{mclkh} ^(a) | PCM_CLK high | 4MHz DDS generation | 980 | - | - | ns |
| t _{mckl} ^(a) | PCM_CLK low | 4MHz DDS generation | 730 | - | - | ns |
| - | PCM_CLK jitter | 48MHz DDS generation | - | - | 21 | ns pk-pk |
| t _{dmclksynch} | Delay time from PCM_CLK high to PCM_SYNC high | | - | - | 20 | ns |
| t _{dmclkpout} | Delay time from PCM_CLK high to valid PCM_OUT | | - | - | 20 | ns |
| t _{dmcklsyncl} | Delay time from PCM_CLK low to PCM_SYNC low (Long Frame Sync only) | | - | - | 20 | ns |
| t _{dmckhsyncl} | Delay time from PCM_CLK high to PCM_SYNC low | | - | - | 20 | ns |
| t _{dmcklpoutz} | Delay time from PCM_CLK low to PCM_OUT high impedance | | - | - | 20 | ns |
| t _{dmckhpoutz} | Delay time from PCM_CLK high to PCM_OUT high impedance | | - | - | 20 | ns |
| t _{supinckl} | Set-up time for PCM_IN valid to PCM_CLK low | | 30 | - | - | ns |
| t _{hpinckl} | Hold time for PCM_CLK low to PCM_IN invalid | | 10 | - | - | ns |

Table 10.7: PCM Master Timing

^(a) Assumes normal system clock operation. Figures will vary during low power modes, when system clock speeds are reduced.

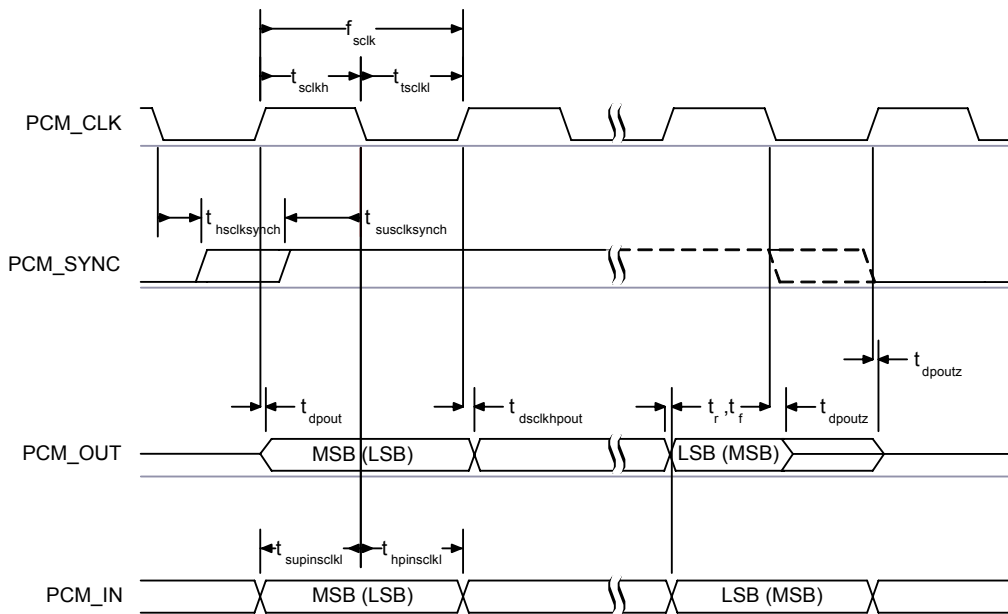

Figure 10.15: PCM Master Timing Long Frame Sync

Figure 10.16: PCM Master Timing Short Frame Sync

| Symbol | Parameter | Min | Typ | Max | Unit |
|--------------------------|--|-----|-----|-----|---------|
| f_{sclk} | PCM clock frequency (Slave mode: input) | 64 | - | (a) | kHz |
| f_{sclk} | PCM clock frequency (GCI mode) | 128 | - | (b) | kHz |
| t_{sckl} | PCM_CLK low time | 80 | - | - | ns |
| t_{sclkh} | PCM_CLK high time | 80 | - | - | ns |
| $t_{\text{hsclksynch}}$ | Hold time from PCM_CLK low to PCM_SYNC high | 20 | - | - | ns |
| $t_{\text{susclksynch}}$ | Set-up time for PCM_SYNC high to PCM_CLK low | 20 | - | - | ns |
| t_{dpout} | Delay time from PCM_SYNC or PCM_CLK whichever is later, to valid PCM_OUT data (Long Frame Sync only) | - | - | 20 | ns |
| $t_{\text{dsclkhout}}$ | Delay time from CLK high to PCM_OUT valid data | - | - | 20 | ns </td |
| t_{dpoutz} | Delay time from PCM_SYNC or PCM_CLK low, whichever is later, to PCM_OUT data line high impedance | - | - | 20 | ns |
| $t_{\text{supinsckl}}$ | Set-up time for PCM_IN valid to CLK low | 20 | - | - | ns |
| t_{hpinsckl} | Hold time for PCM_CLK low to PCM_IN invalid | 20 | - | - | ns |

Table 10.8: PCM Slave Timing

(a) Max frequency is the frequency defined by PSKEY_PCM_MIN_CPU_CLOCK

(b) Max frequency is twice the frequency defined by PSKEY_PCM_MIN_CPU_CLOCK


Figure 10.17: PCM Slave Timing Long Frame Sync

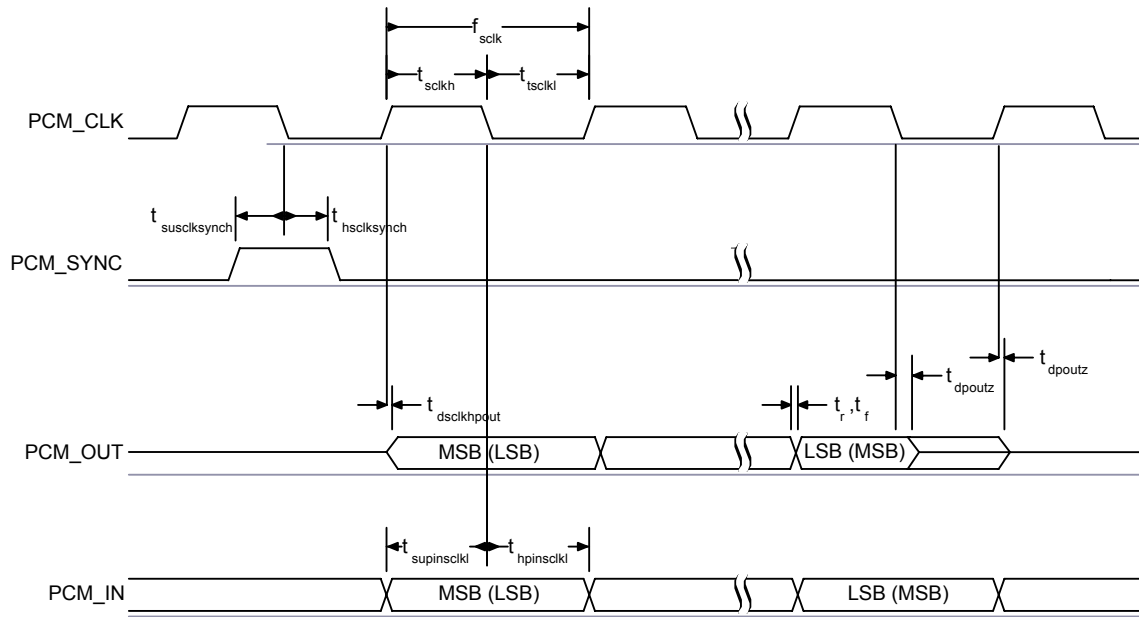


Figure 10.18: PCM Slave Timing Short Frame Sync

10.3.9 PCM_CLK and PCM_SYNC Generation

BlueCore5-Multimedia Plug-n-Go has two methods of generating PCM_CLK and PCM_SYNC in master mode:

- Generating these signals by *Direct Digital Synthesis* (DDS) from BlueCore5-Multimedia Plug-n-Go internal 4MHz clock. Using this mode limits PCM_CLK to 128, 256 or 512kHz and PCM_SYNC to 8kHz.
- Generating these signals by DDS from an internal 48MHz clock (which allows a greater range of frequencies to be generated with low jitter but consumes more power). This second method is selected by setting bit 48M_PCM_CLK_GEN_EN in PSKEY_PCM_CONFIG32. When in this mode and with long frame sync, the length of PCM_SYNC can be either 8 or 16 cycles of PCM_CLK, determined by LONG_LENGTH_SYNC_EN in PSKEY_PCM_CONFIG32.

Equation 10.3 describes PCM_CLK frequency when being generated using the internal 48MHz clock:

$$f = \frac{\text{CNT_RATE}}{\text{CNT_LIMIT}} \times 24\text{MHz}$$

Equation 10.3: PCM_CLK Frequency When Being Generated Using the Internal 48MHz Clock

Set the frequency of PCM_SYNC relative to PCM_CLK using Equation 10.4:

$$f = \frac{\text{PCM_CLK}}{\text{SYNC_LIMIT} \times 8}$$

Equation 10.4: PCM_SYNC Frequency Relative to PCM_CLK

CNT_RATE, CNT_LIMIT and SYNC_LIMIT are set using PSKEY_PCM_LOW_JITTER_CONFIG. As an example, to generate PCM_CLK at 512kHz with PCM_SYNC at 8kHz, set PSKEY_PCM_LOW_JITTER_CONFIG to 0x08080177.

10.3.10 PCM Configuration

The PCM configuration is set using the PS Keys, PSKEY_PCM_CONFIG32 described in Table 10.10 and PSKEY_PCM_LOW_JITTER_CONFIG in Table 10.9. The default for PSKEY_PCM_CONFIG32 is 0x00800000, i.e., first slot following sync is active, 13-bit linear voice format, long frame sync and interface master generating 256kHz PCM_CLK from 4MHz internal clock with no tri-state of PCM_OUT.

| Name | Bit Position | Description |
|------------|--------------|--|
| CNT_LIMIT | [12:0] | Sets PCM_CLK counter limit |
| CNT_RATE | [23:16] | Sets PCM_CLK count rate |
| SYNC_LIMIT | [31:24] | Sets PCM_SYNC division relative to PCM_CLK |

Table 10.9: PSKEY_PCM_LOW_JITTER_CONFIG Description

| Name | Bit Position | Description |
|---------------|--------------|--|
| - | 0 | Set to 0. |
| SLAVE_MODE_EN | 1 | 0 = master mode with internal generation of PCM_CLK and PCM_SYNC. 1 = slave mode requiring externally generated PCM_CLK and PCM_SYNC. |
| SHORT_SYNC_EN | 2 | 0 = long frame sync (rising edge indicates start of frame). 1 = short frame sync (falling edge indicates start of frame). |
| - | 3 | Set to 0. |

| Name | Bit Position | Description |
|----------------------------|--------------|---|
| SIGN_EXTEND_EN | 4 | 0 = padding of 8 or 13-bit voice sample into a 16-bit slot by inserting extra LSBs. When padding is selected with 13-bit voice sample, the 3 padding bits are the audio gain setting; with 8-bit sample the 8 padding bits are zeroes. 1 = sign-extension. |
| LSB_FIRST_EN | 5 | 0 = MSB first of transmit and receive voice samples. 1 = LSB first of transmit and receive voice samples. |
| TX_TRISTATE_EN | 6 | 0 = drive PCM_OUT continuously. 1 = tri-state PCM_OUT immediately after falling edge of PCM_CLK in the last bit of an active slot, assuming the next slot is not active. |
| TX_TRISTATE_RISING_EDGE_EN | 7 | 0 = tri-state PCM_OUT immediately after falling edge of PCM_CLK in last bit of an active slot, assuming the next slot is also not active. 1 = tri-state PCM_OUT after rising edge of PCM_CLK. |
| SYNC_SUPPRESS_EN | 8 | 0 = enable PCM_SYNC output when master. 1 = suppress PCM_SYNC while keeping PCM_CLK running. Some CODECs use this to enter a low power state. |
| GCI_MODE_EN | 9 | 1 = enable GCI mode. |
| MUTE_EN | 10 | 1 = force PCM_OUT to 0. |
| 48M_PCM_CLK_GEN_EN | 11 | 0 = set PCM_CLK and PCM_SYNC generation via DDS from internal 4MHz clock. 1 = set PCM_CLK and PCM_SYNC generation via DDS from internal 48MHz clock. |
| LONG_LENGTH_SYNC_EN | 12 | 0 = set PCM_SYNC length to 8 PCM_CLK cycles. 1 = set length to 16 PCM_CLK cycles. Only applies for long frame sync and with 48M_PCM_CLK_GEN_EN set to 1. |
| - | [20:16] | Set to 0b00000. |
| MASTER_CLK_RATE | [22:21] | Selects 128 (0b01), 256 (0b00), 512 (0b10) kHz PCM_CLK frequency when master and 48M_PCM_CLK_GEN_EN (bit 11) is low. |
| ACTIVE_SLOT | [26:23] | Default is 0001. Ignored by firmware. |
| SAMPLE_FORMAT | [28:27] | Selects between 13 (0b00), 16 (0b01), 8 (0b10) bit sample with 16-cycle slot duration or 8 (0b11) bit sample with 8-cycle slot duration. |

Table 10.10: PSKEY_PCM_CONFIG32 Description

10.4 Digital Audio Interface (I²S)

The digital audio interface supports the industry standard formats for I²S, *left-justified* (LJ) or *right-justified* (RJ). The interface shares the same pins as the PCM interface, which means each audio bus is mutually exclusive in its usage. Table 10.11 lists these alternative functions. Figure 10.19 shows the timing diagram.

| PCM Interface | I ² S Interface |
|---------------|----------------------------|
| PCM_OUT | SD_OUT |
| PCM_IN | SD_IN |
| PCM_SYNC | WS |
| PCM_CLK | SCK |

Table 10.11: Alternative Functions of the Digital Audio Bus Interface on the PCM Interface

Table 10.12 describes the values for the PS Key (PSKEY_DIGITAL_AUDIO_CONFIG) that is used to set-up the digital audio interface. For example, to configure an I²S interface with 16-bit SD data set PSKEY_DIGITAL_CONFIG to 0x0406.

| Bit | Mask | Name | Description |
|--------|--------|---------------------------|---|
| D[0] | 0x0001 | CONFIG_JUSTIFY_FORMAT | 0 for left justified, 1 for right justified. |
| D[1] | 0x0002 | CONFIG_LEFT_JUSTIFY_DELAY | For left justified formats: 0 is MSB of SD data occurs in the first SCLK period following WS transition. 1 is MSB of SD data occurs in the second SCLK period. |
| D[2] | 0x0004 | CONFIG_CHANNEL_POLARITY | For 0, SD data is left channel when WS is high. For 1 SD data is right channel. |
| D[3] | 0x0008 | CONFIG_AUDIO_ATTEN_EN | For 0, 17 bit SD data is rounded down to 16 bits. For 1, the audio attenuation defined in CONFIG_AUDIO_ATTEN is applied over 24 bits with saturated rounding. Requires CONFIG_16_BIT_CROP_EN to be 0. |
| D[7:4] | 0x00F0 | CONFIG_AUDIO_ATTEN | Attenuation in 6 dB steps. |
| D[9:8] | 0x0300 | CONFIG_JUSTIFY_RESOLUTION | Resolution of data on SD_IN, 00=16 bit, 01=20 bit, 10=24 bit, 11=Reserved. This is required for right justified format and with left justified LSB first. |
| D[10] | 0x0400 | CONFIG_16_BIT_CROP_EN | For 0, 17 bit SD_IN data is rounded down to 16 bits. For 1 only the most significant 16 bits of data are received. |

Table 10.12: PSKEY_DIGITAL_AUDIO_CONFIG

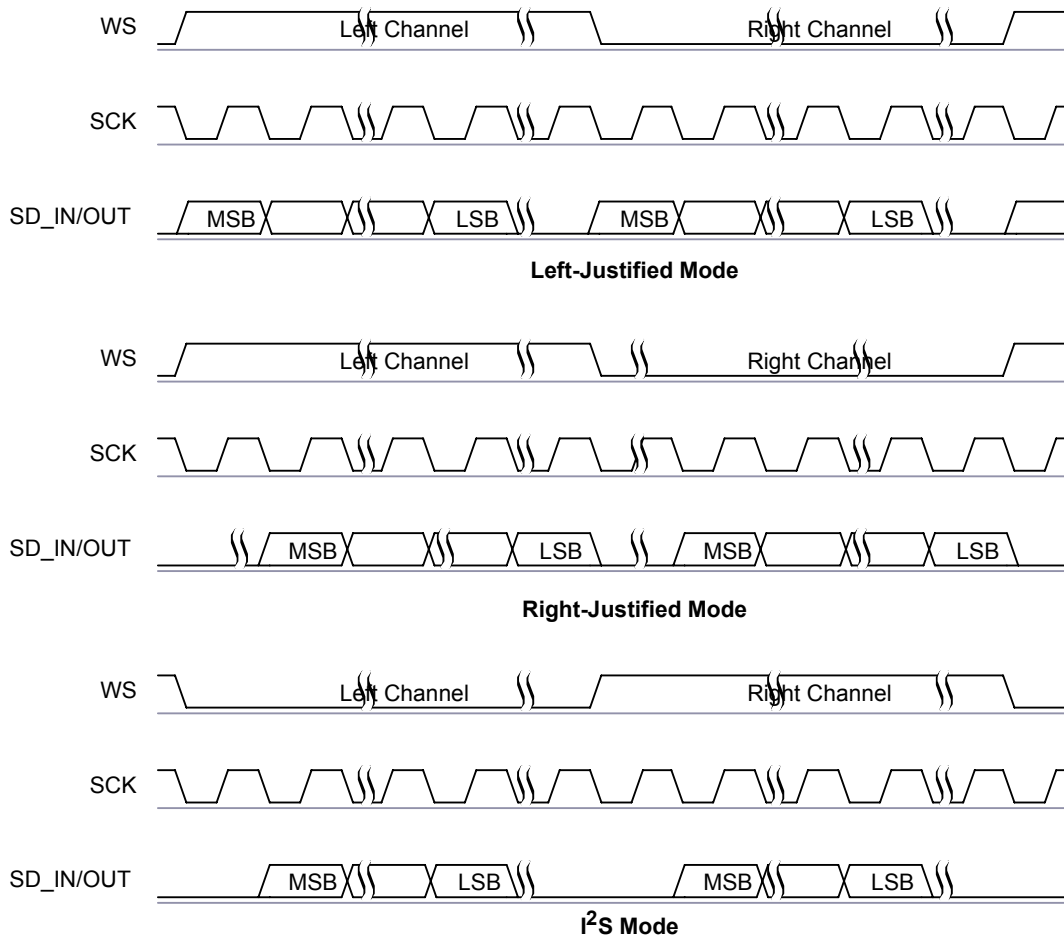


Figure 10.19: Digital Audio Interface Modes

The internal representation of audio samples within BlueCore5-Multimedia Plug-n-Go is 16-bit and data on SD_OUT is limited to 16-bit per channel.

| Symbol | Parameter | Min | Typ | Max | Unit |
|-----------|--------------------------|-----|-----|-----|------|
| - | SCK Frequency | - | - | 6.2 | MHz |
| - | WS Frequency | - | - | 96 | kHz |
| t_{ch} | SCK high time | 80 | - | - | ns |
| t_{cl} | SCK low time | 80 | - | - | ns |
| t_{opd} | SCK to SD_OUT delay | - | - | 20 | ns |
| t_{ssu} | WS to SCK set-up time | 20 | - | - | ns |
| t_{sh} | WS to SCK hold time | 20 | - | - | ns |
| t_{isu} | SD_IN to SCK set-up time | 20 | - | - | ns |
| t_{ih} | SD_IN to SCK hold time | 20 | - | - | ns |

Table 10.13: Digital Audio Interface Slave Timing

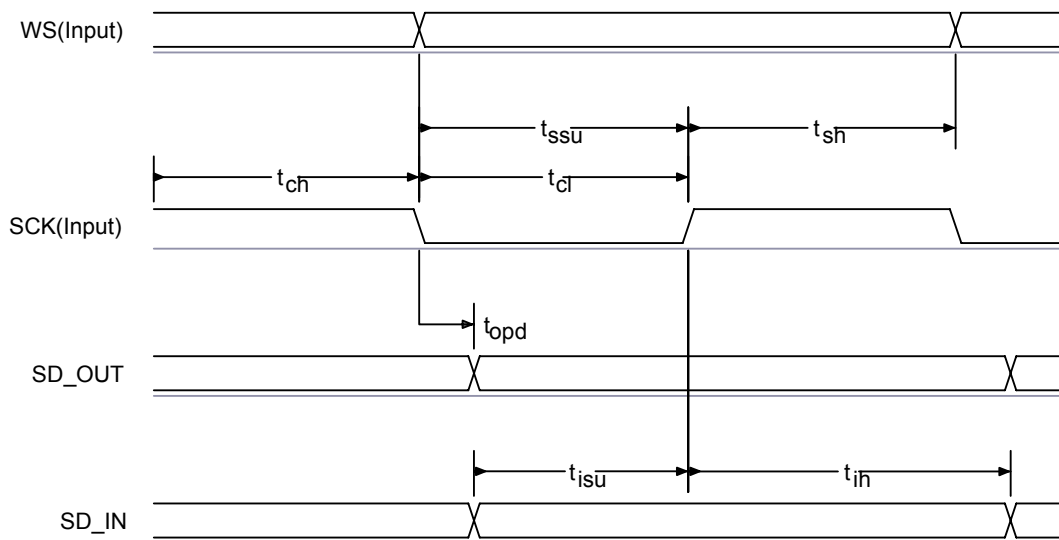
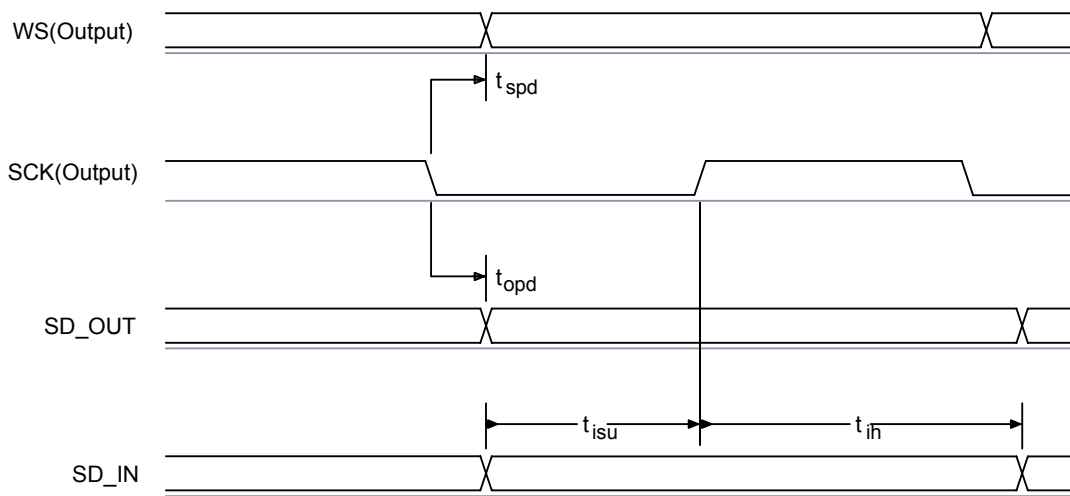


Figure 10.20: Digital Audio Interface Slave Timing

| Symbol | Parameter | Min | Typ | Max | Unit |
|------------------|--------------------------|-----|-----|-----|------|
| - | SCK Frequency | - | - | 6.2 | MHz |
| - | WS Frequency | - | - | 96 | kHz |
| t_{opd} | SCK to SD_OUT delay | - | - | 20 | ns |
| t_{spd} | SCK to WS delay | - | - | 20 | ns |
| t_{isu} | SD_IN to SCK set-up time | 20 | - | - | ns |
| t_{ih} | SD_IN to SCK hold time | 10 | - | - | ns |

Table 10.14: Digital Audio Interface Master Timing

Figure 10.21: Digital Audio Interface Master Timing

11 Power Control and Regulation

11.1 Power Control and Regulation

BlueCore5-Multimedia Plug-n-Go contains four regulators:

- Two high-voltage regulators, either of which can generate a 1.8V supply rail.
- Two low-voltage regulators, running in parallel to supply the 1.5V core supplies from a 1.8V supply rail.

Various configurations for power control and regulation with the BlueCore5-Multimedia Plug-n-Go are available:

- A high-voltage rail running a high-voltage regulator and the low-voltage regulators in series, as shown in Figure 11.1.
- BlueCore5-Multimedia Plug-n-Go powered directly from an external 1.8V supply rail, by-passing the high-voltage regulator
- An external 1.5V rail omitting all regulators

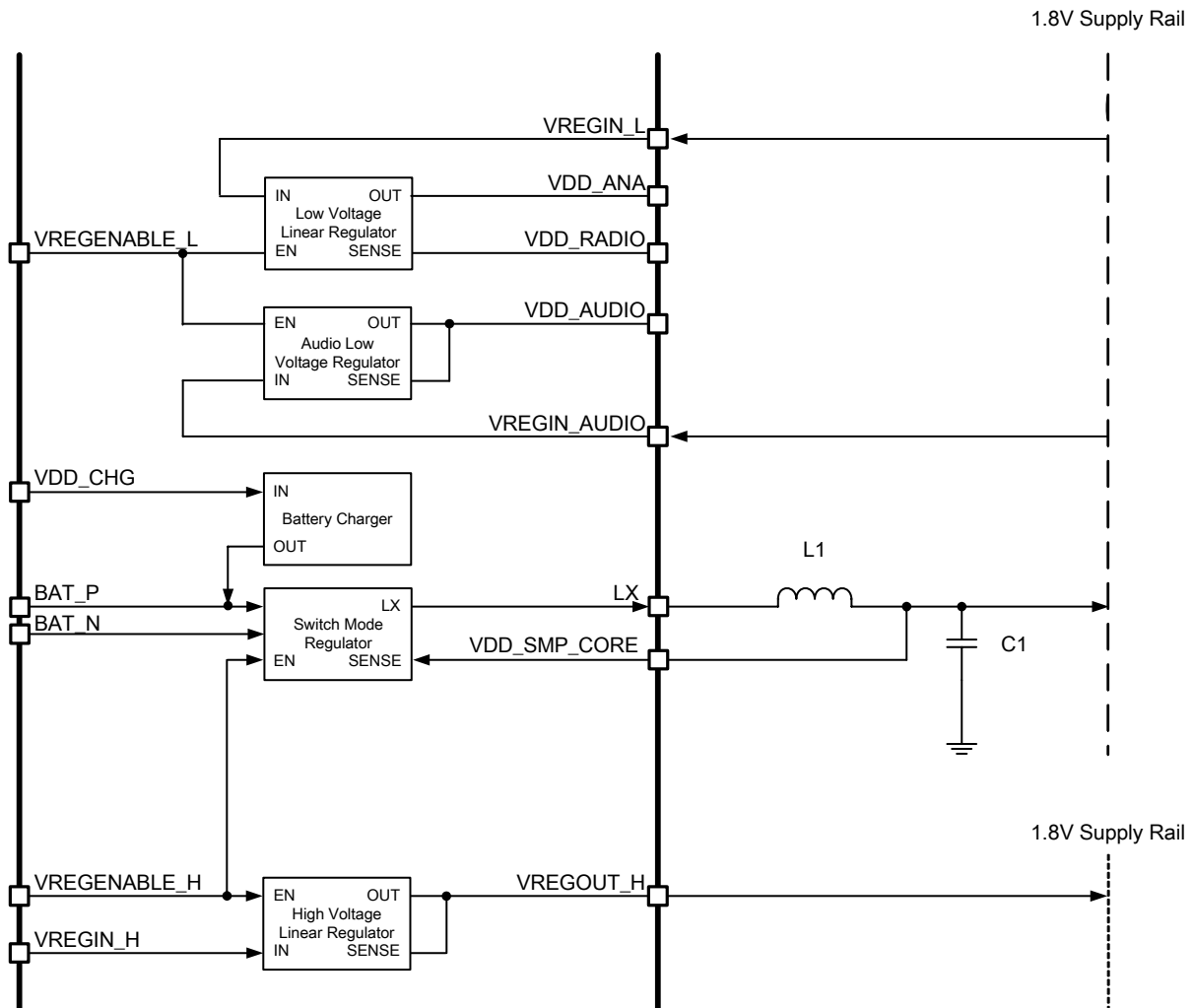


Figure 11.1: Voltage Regulator Configuration

11.2 Power Sequencing

The 1.50V supply rails are VDD_ANA, VDD_AUDIO, VDD_CORE, VDD_LO and VDD_RADIO. CSR recommends that these supply rails are all powered at the same time.

The digital I/O supply rails are VDD_PADS, VDD_PIO and VDD_USB.

The sequence of powering the 1.50V supply rails relative to the digital I/O supply rails is not important. If the digital I/O supply rails are powered before the 1.50V supply rails, all digital I/Os will have a weak pull-down irrespective of the reset state.

VDD_ANA, VDD_AUDIO, VDD_LO and VDD_RADIO can connect directly to a 1.50V supply.

A simple RC filter is recommended for VDD_CORE to reduce transients fed back onto the power supply rails.

The digital I/O supply rails are connected together or independently to an appropriate voltage rail. Decoupling of the digital I/O supply rails is recommended.

11.3 External Voltage Source

If any of the supply rails for BlueCore5-Multimedia Plug-n-Go are supplied from an external voltage source, rather than one of the internal voltage regulators, then it is recommended that VDD_AUDIO, VDD_LO and VDD_RADIO should have less than 10mV rms noise levels between 0 to 10MHz. Also avoid single tone frequencies.

The transient response of any external regulator used should match or be better than the internal regulator available on BlueCore5-Multimedia Plug-n-Go. (Refer to regulator characteristics in Section 13.) It is essential that the power rail recovers quickly at the start of a packet, where the power consumption jumps to high levels.

11.4 Switch-mode Regulator

The on-chip switch-mode regulator is available to power a 1.8V supply rail.

An external *inductor-capacitor* (LC) filter circuit of a low-resistance series inductor, L1 (22 μ H), followed by a low ESR shunt capacitor, C1 (4.7 μ F), is required between the LX terminal and the 1.8V supply rail. A connection between the 1.8V supply rail and the VDD_SMP_CORE pin is required.

A decoupling capacitor (2.2 μ F) is required between BAT_P and BAT_N.

To maintain high-efficiency power conversion and low supply ripple, it is essential that the series resistance of tracks between the BAT_P and BAT_N terminals, the filter and decoupling components, and the external voltage source are minimised.

The switch-mode regulator is enabled by either:

- VREGENABLE_H pin
- BlueCore5-Multimedia Plug-n-Go device firmware
- BlueCore5-Multimedia Plug-n-Go battery charger

The switch-mode regulator is switched into a low-power pulse skipping mode when the device is sent into deep-sleep mode, or in reset.

When the switch-mode regulator is not required the terminals BAT_P and LX must be grounded or left unconnected.

11.5 High-voltage Linear Regulator

The high-voltage linear regulator is available to power a 1.8V supply rail.

A smoothing circuit using a low ESR 2.2 μ F capacitor and a 2.2 Ω resistor to ground, should be connected to the output of the high-voltage linear regulator, VREGOUT_H. Alternatively use a 2.2 μ F capacitor with an ESR of at least 2 Ω .

The high-voltage linear regulator is enabled by either:

- VREGENABLE_H pin
- BlueCore5-Multimedia Plug-n-Go device firmware
- BlueCore5-Multimedia Plug-n-Go battery charger

The regulator is switched into a low-power mode when the device is in deep-sleep mode, or in reset.

When the high-voltage linear regulator is not used the terminals VREGIN_H and VREGOUT_H must be left unconnected, or tied to ground.

11.6 Low-voltage Linear Regulator

The low-voltage linear regulator is available to power a 1.5V supply rail. Its output is connected internally to VDD_ANA, and can be connected externally to the other 1.5V power inputs.

If the low-voltage linear regulator is used a smoothing circuit using a low ESR 2.2 μ F capacitor and a 2.2 Ω resistor to ground, should be connected to the output of the low-voltage linear regulator, VDD_ANA. Alternatively use a 2.2 μ F capacitor with an ESR of at least 2 Ω .

The low-voltage linear regulator is enabled by either:

- VREGENABLE_L pin
- BlueCore5-Multimedia Plug-n-Go device firmware
- BlueCore5-Multimedia Plug-n-Go battery charger

The low-voltage linear regulator is switched into a low power mode when the device is in deep-sleep mode, or in reset.

When the low-voltage linear regulator is not used the terminal VREGIN_L must be left unconnected, or tied to VDD_ANA.

11.7 Low-voltage Audio Linear Regulator

The low-voltage audio linear regulator is available to power a 1.5V audio supply rail. Its output is connected internally to VDD_AUDIO, and can be connected externally to the other 1.5V audio power inputs.

If the low-voltage audio linear regulator is used a smoothing circuit using a low ESR 2.2 μ F capacitor and a 2.2 Ω resistor to ground, should be connected to the output of the low-voltage linear regulator, VDD_AUDIO. Alternatively use a 2.2 μ F capacitor with an ESR of at least 2 Ω .

The low-voltage audio linear regulator is enabled by either:

- VREGENABLE_L pin
- BlueCore5-Multimedia Plug-n-Go device firmware
- BlueCore5-Multimedia Plug-n-Go battery charger

The low-voltage audio linear regulator is switched into a low-power mode when no audio cells are enabled, or when the chip is in reset.

When this regulator is not used the terminal VREGIN_AUDIO must be left unconnected or tied to VDD_AUDIO.

11.8 Voltage Regulator Enable Pins

The voltage regulator enable pins, VREGENABLE_H and VREGENABLE_L, are used to enable the BlueCore5-Multimedia Plug-n-Go device if the on-chip regulators are being used. Table 11.1 shows the enable pin responsible for each voltage regulator.

| Enable Pin | Regulator |
|--------------|---|
| VREGENABLE_H | High-voltage Linear Regulator and Switch-mode Regulator |
| VREGENABLE_L | Low-voltage Linear Regulator and Low-voltage Audio Linear Regulator |

Table 11.1: BlueCore5-Multimedia Plug-n-Go Voltage Regulator Enable Pins

The voltage regulator enable pins are active high, with weak pull-downs.

BlueCore5-Multimedia Plug-n-Go boots-up when the voltage regulator enable pins are pulled high, enabling the appropriate regulators. The firmware then latches the regulators on and the voltage regulator enable pins may then be released.

The status of the VREGENABLE_H pin is available to firmware through an internal connection. VREGENABLE_H also works as an input line.

11.9 Battery Charger

The battery charger is a constant current / constant voltage charger circuit, and is suitable for lithium ion/polymer batteries only. It shares a connection to the battery terminal, BAT_P, with the switch-mode regulator. However it may be used in conjunction with either of the high-voltage regulators on the device.

The constant current level can be varied to allow charging of different capacity batteries.

The charger enters various states of operation as it charges a battery, as listed below. A full operational description is in *BlueCore5 Charger Description and Calibration Application Note*.

- Off : entered when charger disconnected.
- Trickle charge: entered when battery is below 2.9V. The battery is charged at a nominal 4.5mA. This mode is for the safe charge of deeply discharged cells.
- Fast charge constant current: entered when battery is above 2.9V. The charger enters the main fast charge mode. This mode charges the battery at the selected constant current, I_{chgset} .
- Fast charge constant voltage: entered when battery has reached a selected voltage, V_{float} . The charger switches mode to maintain the cell voltage at the V_{float} voltage by adjusting the charge current.
- Standby: this is the state when the battery is fully charged and no charging takes place. The battery voltage is continuously monitored and if it drops by more than 150mV below the V_{float} voltage the charger will re-enter the fast charge constant current mode to keep the battery fully charged.

When a voltage is applied to the charger input terminal VDD_CHG, and the battery is not fully charged, the charger operates and an LED connected to the terminal LED[0] illuminates. By default, until the firmware is running, the LED pulses at a low-duty cycle to minimise current consumption.

The battery charger circuitry auto-detects the presence of a power source, allowing the firmware to detect, using an internal status bit, when the charger is powered. Therefore when the charger supply is not connected to VDD_CHG, the terminal must be left open-circuit. The VDD_CHG pin when not connected must be allowed to float and not pulled to a power rail. When the battery charger is not enabled this pin may float to a low undefined voltage. Any DC connection increases current consumption of the device. Capacitive components may be connected such as diodes, FETs and ESD protection.

The battery charger is designed to operate with a permanently connected battery. If the application enables the charger input to be connected while the battery is disconnected, then the BAT_P pin voltage may become unstable. This in turn may cause damage to the internal switch-mode regulator. Connecting a 470 μ F capacitor to BAT_P limits these oscillations so preventing damage.

11.10 LED Drivers

BlueCore5-Multimedia Plug-n-Go includes two pads dedicated to driving LED indicators. Both terminals may be controlled by firmware, while LED[0] can also be set by the battery charger.

The terminals are open-drain outputs, so the LED must be connected from a positive supply rail to the pad in series with a current limiting resistor.

It is recommended that the LED pad (LED[0] or LED[1] pins) are operated with a pad voltage below 0.5V. In this case the pad can be thought of as a resistor, R_{ON} . The resistance together with the external series resistor sets the current, I_{LED} , in the LED. The current is also dependent on the external voltage, V_{DD} , shown in Figure 11.2.

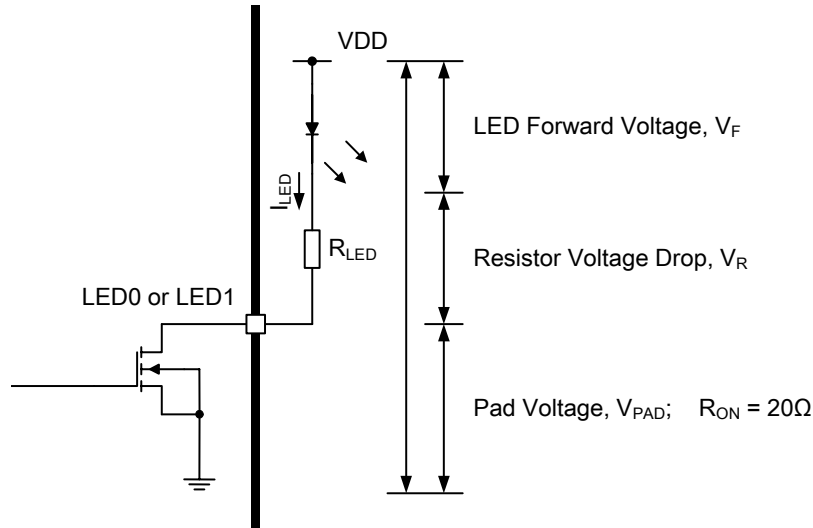


Figure 11.2: LED Equivalent Circuit

From Figure 11.2 it is possible to derive Equation 11.1 to calculate I_{LED} or if a known value of current is required through the LED, to give a specific luminous intensity, then the value of R_{LED} could be calculated.

$$I_{LED} = \frac{V_{DD} - V_F}{R_{LED} + R_{ON}}$$

Equation 11.1: LED Current

For LED[0] or LED[1] pad to act as resistance, the external series resistor, R_{LED} , needs to be such that the voltage drop across it, V_R , keeps V_{PAD} below 0.5V. Therefore Equation 11.2 also applies.

$$V_{DD} = V_F + V_R + V_{PAD}$$

Equation 11.2: LED PAD Voltage

Note:

The LED current will add to the overall application current, so conservative selection of the LEDs will preserve power consumption.

11.11 Reset (RST#)

BlueCore5-Multimedia Plug-n-Go can be reset from several sources:

- RST# pin
- Power-on reset
- UART break character
- Software configured watchdog timer

The RST# pin is an active low reset and is internally filtered using the internal low frequency clock oscillator. A reset is performed between 1.5 and 4.0ms following RST# being active. CSR recommends that RST# be applied for a period greater than 5ms.

The power-on reset typically occurs when the VDD_CORE supply falls below 1.26V and is released when VDD_CORE rises above typically 1.31V. At reset the digital I/O pins are set to inputs for bi-directional pins and outputs are tri-state. Following a reset, BlueCore5-Multimedia Plug-n-Go assumes the maximum XTAL_IN frequency, which ensures that the internal clocks run at a safe (low) frequency until BlueCore5-Multimedia Plug-n-Go is configured for the actual XTAL_IN frequency. If no clock is present at XTAL_IN, the oscillator in BlueCore5-Multimedia Plug-n-Go free runs, again at a safe frequency.

11.11.1 Digital Pin States on Reset

Table 11.2 shows the pin states of BlueCore5-Multimedia Plug-n-Go on reset. Pull-up (PU) and pull-down (PD) default to weak values unless specified otherwise.

| Pin Name / Group | I/O Type | No Core Voltage Reset | Full Chip Reset |
|------------------|----------------------------------|-----------------------|-----------------|
| USB_DP | Digital bi-directional | N/a | N/a |
| USB_DN | Digital bi-directional | N/a | N/a |
| UART_RX | Digital input with PD | PD | PD |
| UART_CTS | Digital input with PD | PD | PD |
| UART_TX | Digital bi-directional with PU | PU | PU |
| UART_RTS | Digital bi-directional with PU | PU | PU |
| SPI_MOSI | Digital input with PD | PD | PD |
| SPI_CLK | Digital input with PD | PD | PD |
| SPI_CS# | Digital input with PU | PU | PU |
| SPI_MISO | Digital tri-state output with PD | PD | PD |
| PCM_IN | Digital input with PD | PD | PD |

| Pin Name / Group | I/O Type | No Core Voltage Reset | Full Chip Reset |
|------------------|---------------------------------------|-----------------------|-----------------|
| PCM_CLK | Digital bi-directional with PD | PD | PD |
| PCM_SYNC | Digital bi-directional with PD | PD | PD |
| PCM_OUT | Digital tri-state output with PD | PD | PD |
| RST# | Digital input with PU | PU | PU |
| TEST_EN | Digital input with PD | PD | PD |
| PIO[0:15] | Digital bi-directional with PU/ PD | PD | PD |

Table 11.2: Pin States on Reset

11.11.2 Status after Reset

The chip status after a reset is as follows:

- Warm reset: data rate and RAM data remain available
- Cold reset: data rate and RAM data not available

12 Example Application Schematic

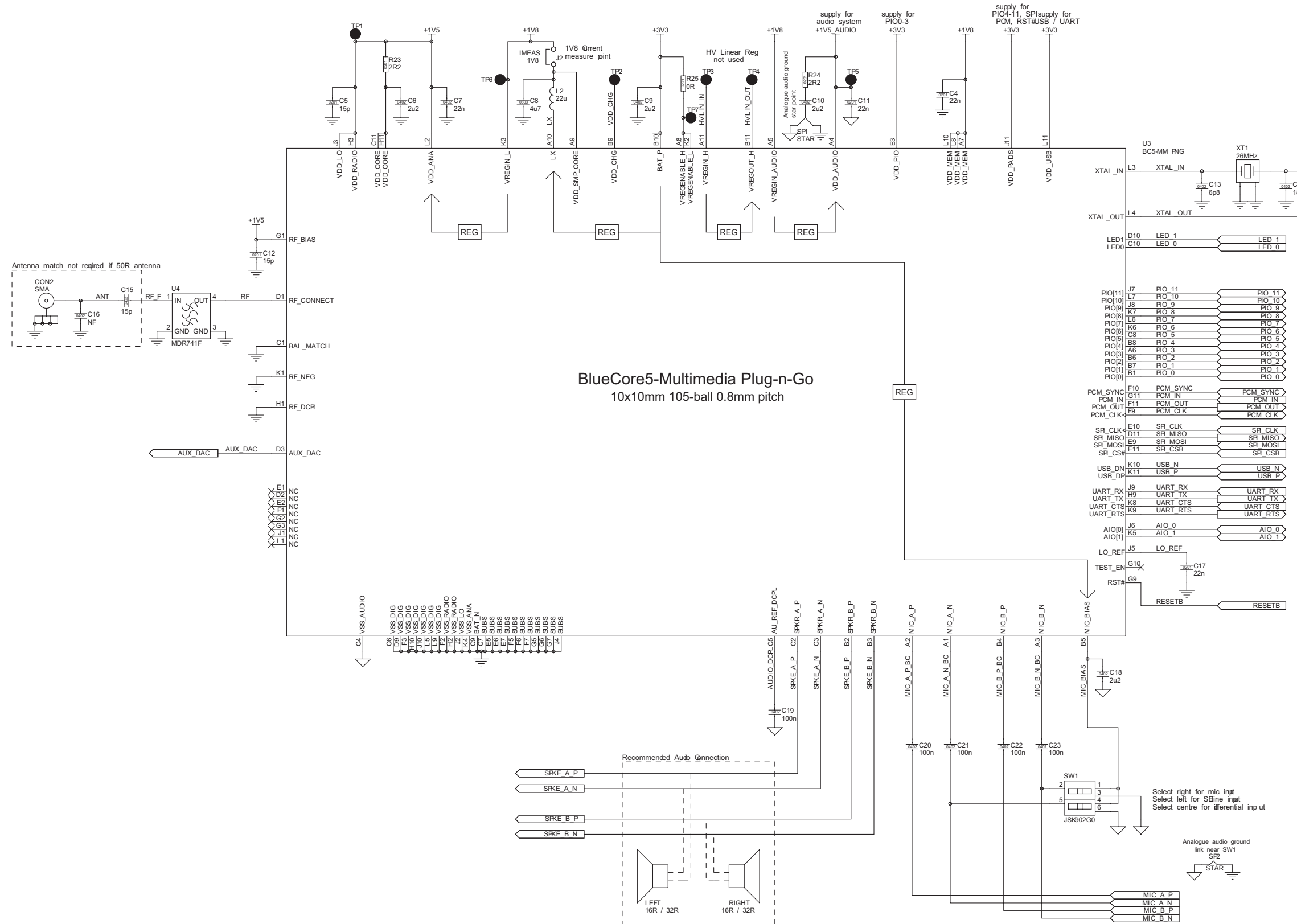


Figure 12.1: BlueCore5-Multimedia Plug-n-Go Example Application Schematic

13 Electrical Characteristics

13.1 Absolute Maximum Ratings

| Rating | | Min | Max | Unit |
|-------------------------|--|---------|---------|------|
| Storage Temperature | | -40 | 105 | °C |
| Core Supply Voltage | VDD_ANA, VDD_AUDIO, VDD_CORE, VDD_LO and VDD_RADIO | -0.4 | 1.65 | V |
| I/O Voltage | VDD_PADS, VDD_PIO and VDD_USB | -0.4 | 3.6 | V |
| | VDD_MEM | -0.4 | 1.95 | V |
| Supply Voltage | VREGIN_L and VREGIN_AUDIO | -0.4 | 2.7 | V |
| | VREGIN_H, VREGENABLE_H and VREGENABLE_L | -0.4 | 4.9 | V |
| | BAT_P, LED[0] and LED[1] | -0.4 | 4.4 | V |
| | VDD_CHG | -0.4 | 6.5 | V |
| RF_BIAS | | -0.4 | 1.65 | V |
| Other Terminal Voltages | | VSS-0.4 | VDD+0.4 | V |

13.2 Recommended Operating Conditions

| Operating Condition | | Min | Typ | Max | Unit |
|--|--|------|-----|------|------|
| Operating Temperature Range ^(a) | | -30 | +20 | +85 | °C |
| Core Supply Voltage | VDD_ANA, VDD_AUDIO, VDD_CORE, VDD_LO and VDD_RADIO | 1.42 | - | 1.57 | V |
| I/O Supply Voltage | VDD_PADS, VDD_PIO and VDD_USB | 1.7 | 3.3 | 3.6 | V |
| | VDD_MEM | 1.70 | 1.8 | 1.95 | V |
| RF_BIAS | | 1.42 | - | 1.57 | V |

^(a) For radio performance over temperature refer to BlueCore5-Multimedia Plug-n-Go Performance Specification.

13.3 Input/Output Terminal Characteristics

Note:

For all I/O Terminal Characteristics:

- VDD_ANA, VDD_AUDIO, VDD_CORE, VDD_LO and VDD_RADIO at 1.50V unless shown otherwise.
- VDD_PADS, VDD_PIO and VDD_USB at 3.3V unless shown otherwise.
- Current drawn into a pin is defined as positive; current supplied out of a pin is defined as negative.

13.3.1 High-voltage Linear Regulator

| Normal Operation | Min | Typ | Max | Unit |
|--|------|------|--------------------|---------------|
| Input voltage | 2.7 | - | 5.5 ^(a) | V |
| Output voltage ($I_{load} = 100\text{mA}$ / $V_{REGIN_H} = 3.0\text{V}$) | 1.70 | 1.80 | 1.95 | V |
| Temperature coefficient | -300 | 0 | 300 | ppm/°C |
| Output Noise ^{(b) (c)} | - | - | 1 | mV rms |
| Load regulation ($100\mu\text{A} < I_{load} < 200\text{mA}$), ΔV_{out} | - | - | 5 | mV |
| Settling time ^{(b) (d)} | - | - | 50 | μs |
| Maximum output current | 200 | - | - | mA |
| Minimum load current | 5 | - | - | μA |
| Drop-out voltage ($I_{load} = 200\text{mA}$) | - | - | 900 | mV |
| Quiescent current (excluding load, $I_{load} < 1\text{mA}$) | 30 | 50 | 60 | μA |
| Low Power Mode ^(e) | | | | |
| Quiescent current (excluding load, $I_{load} < 100\mu\text{A}$) | 11 | 15 | 21 | μA |

^(a) Short-term operation up to 5.5V is permissible without damage and without the output voltage rising sufficiently to damage the rest of BlueCore5-Multimedia Plug-n-Go, but output regulation and other specifications are no longer guaranteed at input voltages in excess of 4.9V. 5.5V can only be tolerated for short periods.

^(b) Regulator output connected to 47nF pure and 4.7 μF 2.2 Ω ESR capacitors.

^(c) Frequency range 100Hz - 100kHz.

^(d) 10mA - 200mA pulsed load.

^(e) The regulator is in low power mode when the chip is in deep sleep mode, or in reset.

13.3.2 Low-voltage Linear Regulator

| Normal Operation | Min | Typ | Max | Unit |
|--|------|------|------|---------------|
| Input voltage | 1.70 | 1.80 | 1.95 | V |
| Output voltage ($I_{load} = 70\text{mA}$ / $VREGIN_L = 1.7\text{V}$) | 1.42 | 1.50 | 1.57 | V |
| Temperature coefficient | -300 | 0 | 300 | ppm/°C |
| Output noise ^{(a) (b)} | - | - | 1 | mV rms |
| Load regulation ($100\mu\text{A} < I_{load} < 90\text{mA}$), ΔV_{out} | - | - | 5 | mV |
| Load regulation ($100\mu\text{A} < I_{load} < 115\text{mA}$), ΔV_{out} | - | - | 25 | mV |
| Settling time ^{(a) (c)} | - | - | 50 | μs |
| Maximum output current | 115 | - | - | mA |
| Minimum load current | 5 | - | 100 | μA |
| Drop-out voltage ($I_{load} = 115\text{mA}$) | - | - | 300 | mV |
| Quiescent current (excluding load, $I_{load} < 1\text{mA}$) | 50 | 90 | 150 | μA |
| Low Power Mode ^(d) | | | | |
| Quiescent current (excluding load, $I_{load} < 100\mu\text{A}$) | 5 | 8 | 15 | μA |

^(a) Regulator output connected to 47nF pure and 4.7 μF 2.2 Ω ESR capacitors

^(b) Frequency range 100Hz to 100kHz

^(c) 1mA to 115mA pulsed load

^(d) The regulator is in low power mode when the chip is in deep sleep mode, or in reset

13.3.3 Low-voltage Linear Audio Regulator

| Normal Operation | Min | Typ | Max | Unit |
|---|------|------|------|---------------|
| Input voltage | 1.70 | 1.80 | 1.95 | V |
| Output voltage ($I_{load} = 70\text{mA}$ / $VREGIN_AUDIO = 1.7\text{V}$) | 1.42 | 1.50 | 1.57 | V |
| Temperature coefficient | -300 | 0 | 300 | ppm/°C |
| Output noise ^{(a) (b)} | - | - | 1 | mV rms |
| Load regulation ($100\mu\text{A} < I_{load} < 70\text{mA}$), ΔV_{out} | - | - | 5 | mV |
| Settling time ^{(a) (c)} | - | - | 50 | μs |
| Maximum output current | 70 | - | - | mA |
| Minimum load current | 5 | - | 100 | μA |
| Dropout voltage ($I_{load} = 70\text{mA}$) | - | - | 300 | mV |
| Quiescent current (excluding load, $I_{load} < 1\text{mA}$) | 25 | 30 | 50 | μA |
| Low Power Mode ^(d) | | | | |
| Quiescent current (excluding load, $I_{load} < 100\mu\text{A}$) | 5 | 8 | 15 | μA |

^(a) Regulator output connected to 47nF pure and 4.7 μF 2.2 Ω ESR capacitors

^(b) Frequency range 100Hz to 100kHz

^(c) 1mA to 70mA pulsed load

^(d) The regulator is in low power mode when when no audio circuits are enabled

13.3.4 Switch-mode Regulator

| Switch-mode Regulator | Min | Typ | Max | Unit |
|---|------|-------|------|--------|
| Input voltage | 2.5 | - | 4.4 | V |
| Output voltage ($I_{load} = 70mA$) | 1.70 | 1.80 | 1.90 | V |
| Temperature coefficient | -250 | - | +250 | ppm/°C |
| Normal Operation | | | | |
| Output ripple | - | - | 10 | mV rms |
| Transient settling time ^(a) | - | - | 50 | µs |
| Maximum load current | 200 | - | - | mA |
| Conversion efficiency ($I_{load} = 70mA$) | - | 90 | - | % |
| Switching frequency ^(b) | - | 1.333 | - | MHz |
| Start-up current limit ^(c) | 30 | 50 | 80 | mA |
| Low Power Mode ^(d) | | | | |
| Output ripple | - | - | 1 | mV rms |
| Transient settling time ^(e) | - | - | 700 | µs |
| Maximum load current | 5 | - | - | mA |
| Minimum load current | 1 | - | - | µA |
| Conversion efficiency ($I_{load} = 1mA$) | - | 80 | - | % |
| Switching frequency ^(f) | 50 | - | 150 | kHz |

^(a) For step changes in load of 30-80mA and 80-30mA.

^(b) Locked to crystal frequency.

^(c) Current is limited on start-up to prevent excessive stored energy in the filter inductor.

^(d) The regulator is in low power mode when the chip is in deep sleep mode, or in reset

^(e) 100µA to 1mA pulsed load

^(f) Defines minimum period between pulses. Pulses are skipped at low current loads.

Note:

The external inductor used with the switch-mode regulator must have an ESR in the range 0.3 - 0.7Ω:

- Low ESR < 0.3Ω causes instability.
- High ESR > 0.7Ω derates the maximum current.

13.3.5 Reset

| Power-on Reset | Min | Typ | Max | Unit |
|----------------------------|------|------|------|------|
| VDD_CORE falling threshold | 1.13 | 1.25 | 1.30 | V |
| VDD_CORE rising threshold | 1.20 | 1.30 | 1.35 | V |
| Hysteresis | 0.05 | 0.10 | 0.15 | V |

13.3.6 Regulator Enable

| Switching Threshold | Min | Typ | Max | Unit |
|---------------------|-----|-----|-----|------|
| | | | | |
| Rising threshold | | | | |
| Falling threshold | | | | |
| Hysteresis | | | | |
| | | | | |
| Rising threshold | | | | |
| Falling threshold | | | | |
| Hysteresis | | | | |

13.3.7 Battery Charger

| Battery Charger | | Min | Typ | Max | Unit |
|---|--------------------------------|------|-----|------|------|
| Input voltage | | 4.5 | - | 6.5 | V |
| Charging Mode (BAT_P rising to 4.2V) | | | | | |
| Supply current ^(a) | | - | 4.5 | 6 | mA |
| Battery trickle charge current ^(b) ^(c) | Maximum setting (I-CTRL = 15) | - | 14 | - | mA |
| | Minimum setting (I-CTRL = 0) | - | 4 | - | mA |
| Maximum battery fast charge current (I-CTRL = 15) ^(c) ^(d) | Headroom ^(e) > 0.7V | - | 140 | - | mA |
| | Headroom = 0.3V | - | 120 | - | mA |
| Minimum battery fast charge current (I-CTRL = 0) ^(c) ^(d) | Headroom > 0.7V | - | 40 | - | mA |
| | Headroom = 0.3V | - | 35 | - | mA |
| Fast charge step size (I-CTRL = 0 to 15) | Spread ±17% | - | 6.3 | - | mA |
| Trickle charge voltage threshold | | - | 2.9 | - | V |
| Float voltage (with correct trim value set), V _{FLOAT} ^(f) | | 4.17 | 4.2 | 4.23 | V |
| Float voltage trim step size ^(f) | | - | 50 | - | mV |
| Battery charge termination current, % of fast charge current | | 5 | 10 | 20 | % |
| Standby Mode (BAT_P falling from 4.2V) | | | | | |
| Supply current ^(a) | | - | 1.5 | 2 | mA |
| Battery current | | - | -5 | - | µA |
| Battery recharge hysteresis ^(g) | | 100 | - | 200 | mV |
| Shutdown Mode (VDD_CHG too low or disabled by firmware) | | | | | |

| Battery Charger | | Min | Typ | Max | Unit |
|-----------------------------------|-----------------|-----|------|-----|------|
| VDD_CHG under-voltage threshold | VDD_CHG rising | - | 3.90 | - | V |
| | VDD_CHG falling | - | 3.70 | - | V |
| VDD_CHG - BAT_P lockout threshold | VDD_CHG rising | - | 0.22 | - | V |
| | VDD_CHG falling | - | 0.17 | - | V |
| Supply current | | - | 1.5 | 2 | mA |
| Battery current | | -1 | - | 0 | μA |

(a) Current into VDD_CHG - does not include current delivered to battery ($I_{VDD_CHG} - I_{BAT_P}$)

(b) $BAT_P < \text{Float voltage}$

(c) Charge current can be set in 16 equally spaced steps.

(d) Trickle charge threshold $< BAT_P < \text{Float voltage}$

(e) Where headroom = $VDD_CHG - BAT_P$

(f) Float voltage can be adjusted in 15 steps. Trim setting is determined in production test and must be loaded into the battery charger by firmware during boot-up sequence

(g) Hysteresis of ($V_{\text{FLOAT}} - BAT_P$) for charging to restart

13.3.8 Digital Terminals

| Supply Voltage Levels | | Min | Typ | Max | Unit |
|--|---------------------------|-----------|------|-----------|------|
| VDD _{PRE} | Pre-driver supply voltage | 1.4 | 1.5 | 1.6 | V |
| VDD I/O supply voltage (post-driver) | Full spec. | 3.0 | 3.3 | 3.6 | V |
| | Reduced spec. | 1.7 | - | 3.0 | V |
| Input Voltage Levels | | | | | |
| V _{IL} input logic level low | | -0.3 | - | 0.25xVDD | V |
| V _{IH} input logic level high | | 0.625xVDD | - | VDD+0.3 | V |
| V _{SCHMITT} Schmitt voltage | | 0.25xVDD | - | 0.625xVDD | V |
| Output Voltage Levels | | | | | |
| V _{OL} output logic level low, I _{OL} = 4.0mA | | 0 | - | 0.125 | V |
| V _{OH} output logic level high, I _{OH} = -4.0mA | | 0.75xVDD | - | VDD | V |
| Input and Tri-state Currents | | | | | |
| I _i input leakage current at V _{in} = VDD or 0V | | -100 | 0 | 100 | nA |
| I _{oz} tri-state output leakage current at V _o = VDD or 0V | | -100 | 0 | 100 | nA |
| With strong pull-up | | -100 | -40 | -10 | μA |
| With strong pull-down | | 10 | 40 | 100 | μA |
| With weak pull-up | | -5 | -1.0 | -0.2 | μA |
| With weak pull-down | | -0.2 | +1.0 | 5.0 | μA |
| C _i Input Capacitance | | 1.0 | - | 5.0 | pF |
| Resistive Strength | | | | | |
| R _{puw} weak pull-up strength at VDD-0.2V | | 500k | - | 2M | Ω |
| R _{pdw} weak pull-down strength at 0.2V | | 500k | - | 2M | Ω |
| R _{pus} strong pull-up strength at VDD-0.2V | | 10k | - | 50k | Ω |
| R _{pds} strong pull-down strength at 0.2V | | 10k | - | 50k | Ω |

13.3.9 LED Driver Pads

| LED Driver Pads | | Min | Typ | Max | Unit |
|---|------------------|-----|-----|-----|------|
| Off current | | - | 1 | 2 | μA |
| On resistance | $V_{PAD} < 0.5V$ | - | 20 | 33 | Ω |
| On resistance, pad enabled by battery charger | $V_{PAD} < 0.5V$ | - | 20 | 50 | Ω |

13.3.10 USB

| USB Terminals | Min | Typ | Max | Unit |
|--|------------------|-----|------------------|------|
| VDD_USB for correct USB operation | 3.1 | - | 3.6 | V |
| Input Threshold | | | | |
| V_{IL} input logic level low | - | - | $0.3V_{DD_USB}$ | V |
| V_{IH} input logic level high | $0.7V_{DD_USB}$ | - | - | V |
| Input Leakage Current | | | | |
| $V_{SS_DIG} < V_{IN} < V_{DD_USB}^{(a)}$ | -1 | 1 | 5 | μA |
| C_I Input capacitance | 2.5 | - | 10.0 | pF |
| Output Voltage Levels to Correctly Terminated USB Cable | | | | |
| V_{OL} output logic level low | 0.0 | - | 0.2 | V |
| V_{OH} output logic level high | 2.8 | - | VDD_USB | V |

^(a) Internal USB pull-up disabled

13.3.11 Auxiliary ADC

| Auxiliary ADC | | Min | Typ | Max | Unit |
|------------------------------------|-----|------|-----|---------|-----------|
| Resolution | | - | - | 10 | Bits |
| Input voltage range ^(a) | | 0 | - | VDD_ANA | V |
| Accuracy (Guaranteed monotonic) | INL | -1 | - | 1 | LSB |
| | DNL | 0 | - | 1 | LSB |
| Offset | | -1 | - | 1 | LSB |
| Gain Error | | -0.8 | - | 0.8 | % |
| Input Bandwidth | | - | 100 | - | kHz |
| Conversion time | | - | 2.5 | - | µs |
| Sample rate ^(b) | | - | - | 700 | Samples/s |

^(a) LSB size = VDD_ANA/1023

^(b) The auxiliary ADC is accessed through a VM function. The sample rate given is achieved as part of this function.

13.3.12 Auxiliary DAC

| Auxiliary DAC | | Min | Typ | Max | Unit |
|---|--|-------------|--------------------------|---------|------|
| Resolution | | - | - | 8 | Bits |
| Average output step size ^(a) | | 12.5 | 14.5 | 17.0 | mV |
| Output Voltage | | | monotonic ^(a) | | |
| Voltage range ($I_O = 0\text{mA}$) | | VSS_DIG | - | VDD_PIO | V |
| Current range | | -10.0 | - | 0.1 | mA |
| Minimum output voltage ($I_O=100\mu\text{A}$) | | 0.0 | - | 0.2 | V |
| Maximum output voltage ($I_O=10\text{mA}$) | | VDD_PIO-0.3 | - | VDD_PIO | V |
| High Impedance leakage current | | -1 | - | 1 | µA |
| Offset | | -220 | - | 120 | mV |
| Integral non-linearity ^(a) | | -2 | - | 2 | LSB |
| Settling time (50pF load) | | - | - | 10 | µs |

^(a) Specified for an output voltage between 0.2V and VDD_PIO - 0.2V. Output is high impedance when chip is in Deep Sleep mode.

13.3.13 Clocks

| Clock Source | Min | Typ | Max | Unit |
|--|-----|-----------|---------|------------|
| Crystal Oscillator | | | | |
| Crystal frequency ^(a) | 16 | 26 | 26 | MHz |
| Digital trim range ^(b) | 5.0 | 6.2 | 8.0 | pF |
| Trim step size ^(b) | - | 0.1 | - | pF |
| Transconductance | 2.0 | - | - | mS |
| Negative resistance ^(c) | 870 | 1500 | 2400 | Ω |
| External Clock | | | | |
| Input frequency ^(d) | 12 | 26 | 52 | MHz |
| Clock input level ^(e) | 0.4 | - | VDD_ANA | V pk-pk |
| Edge jitter (allowable jitter), at zero crossing | - | - | 15 | ps rms |
| XTAL_IN input impedance | - | ≥ 10 | - | k Ω |
| XTAL_IN input capacitance | - | ≤ 4 | - | pF |

^(a) Integer multiple of 250kHz

^(b) The difference between the internal capacitance at minimum and maximum settings of the internal digital trim.

^(c) XTAL frequency = 16MHz; XTAL C_0 = 0.75pF; XTAL load capacitance = 8.5pF.

^(d) Clock input can be any frequency between 12MHz to 52MHz in steps of 250kHz plus CDMA/3G TCXO frequencies of 14.40, 15.36, 16.2, 16.8, 19.2, 19.44, 19.68, 19.8 and 38.4MHz.

^(e) Clock input can be either sinusoidal or square wave. If the peaks of the signal are below VSS_ANA or above VDD_ANA. A DC blocking capacitor is required between the signal and XTAL_IN.

13.3.14 Stereo CODEC: Analogue to Digital Converter

| Analogue to Digital Converter | | | | | | |
|---|---|---------------------|-----|------|------|----------|
| Parameter | Conditions | | Min | Typ | Max | Unit |
| Resolution | - | | - | - | 16 | Bits |
| Input Sample Rate, F_{sample} | - | | 8 | - | 44.1 | kHz |
| Signal to Noise Ratio, SNR ^(a) | $f_{\text{in}} = 1\text{kHz}$ B/W = 20Hz→20kHz A-Weighted THD+N < 1% 150mV _{pk-pk} input | F_{sample} | | | | |
| | | 8kHz | - | 79 | - | dB |
| | | 11.025kHz | - | 77 | - | dB |
| | | 16kHz | - | 76 | - | dB |
| | | 22.050kHz | - | 76 | - | dB |
| | | 32kHz | - | 75 | - | dB |
| | | 44.1kHz | - | 75 | - | dB |
| Digital Gain | Digital Gain Resolution = 1/32dB | | -24 | - | 21.5 | dB |
| Analogue Gain | Analogue Gain Resolution = 3dB | | -3 | -3 | 42 | dB |
| Input full scale at maximum gain (differential) | | | - | 4 | - | mV rms |
| Input full scale at minimum gain (differential) | | | - | 800 | - | mV rms |
| 3dB Bandwidth | | | - | 20 | - | kHz |
| Microphone mode input impedance | | | - | 6.0 | - | Ω |
| THD+N (microphone input) @ 30mV rms input | | | - | 0.04 | - | % |

^(a) Better SNR figures can be achieved than quoted, but this will increase current consumption. See Optimising BlueCore5-Multimedia ADC Performance Application Note Application Note for details.

13.3.15 Stereo CODEC: Digital to Analogue Converter

| Digital to Analogue Converter | | | | | | |
|--|--|---------------------|-------|-----|------|----------|
| Parameter | Conditions | | Min | Typ | Max | Unit |
| Resolution | - | | - | - | 16 | Bits |
| Output Sample Rate, F_{sample} | - | | 8 | - | 48 | kHz |
| Signal to Noise Ratio, SNR | $f_{\text{in}} = 1\text{kHz}$ B/W = 20Hz→20kHz A-Weighted THD+N < 0.01% 0dBFS signal Load = 100k Ω | F_{sample} | | | | |
| | | 8kHz | - | 95 | - | dB |
| | | 11.025kHz | - | 95 | - | dB |
| | | 16kHz | - | 95 | - | dB |
| | | 22.050kHz | - | 95 | - | dB |
| | | 32kHz | - | 95 | - | dB |
| | | 44.1kHz | - | 95 | - | dB |
| | | 48kHz | - | 95 | - | dB |
| Digital Gain | Digital Gain Resolution = 1/32dB | | -24 | - | 21.5 | dB |
| Analogue Gain | Analogue Gain Resolution = 3dB | | 0 | - | -21 | dB |
| Output voltage full scale swing (differential) | | | - | 750 | - | mV rms |
| Allowed Load | Resistive | | 16(8) | - | OC | Ω |
| | Capacitive | | - | - | 500 | pF |
| THD+N 100k Ω load | | | - | - | 0.01 | % |
| THD+N 16 Ω load | | | - | - | 0.1 | % |
| SNR (Load = 16 Ω , 0dBFS input relative to digital silence) | | | - | 95 | - | dB |

14 Power Consumption

| Role | Connection | Audio Packet Type | Description | Current | | | | | | Unit |
|--------|-----------------------|-------------------|---|-----------------|-------|-----------------|-------|----------------|-------|------|
| | | | | VREGIN_L = 1.8V | | VREGIN_H = 3.2V | | VDD_CHG = 3.6V | | |
| | | | | 16MHz | 32MHz | 16MHz | 32MHz | 16MHz | 32MHz | |
| | Stand-by | | Host connection | 0.07 | 0.08 | 0.08 | 0.09 | 0.06 | 0.07 | mA |
| | Page Scan | | Interval = 1280ms | 0.46 | 0.47 | 0.51 | 0.51 | 0.31 | 0.32 | mA |
| | Inquiry and Page Scan | | Inquiry scan = 1280ms Page scan = 1280ms | 0.92 | 0.88 | 0.92 | 0.91 | 0.51 | 0.54 | mA |
| Master | ACL | | No traffic | 4.2 | 4.2 | 4.2 | 4.3 | 2.6 | 2.7 | mA |
| Master | ACL | | File transfer TX | 8.9 | 9.1 | 8.9 | 9.1 | 5.1 | 5.2 | mA |
| Master | ACL | | Sniff = 40ms | 1.8 | 1.8 | 1.8 | 1.8 | 1.1 | 1.1 | mA |
| Master | ACL | | Sniff = 1280ms | 0.21 | 0.20 | 0.23 | 0.21 | 0.15 | 0.14 | mA |
| Master | eSCO | EV3 | | 21 | 22 | 22 | 23 | 12 | 12 | mA |
| Master | eSCO | EV3 | Setting S1 | 23 | 23 | 24 | 24 | 13 | 13 | mA |
| Master | eSCO | 2 EV3 | Setting S2 | 22 | 22 | 22 | 22 | 12 | 12 | mA |
| Master | eSCO | 2 EV3 | Setting S3 | 16 | 17 | 17 | 17 | 9.0 | 9.1 | mA |
| Master | eSCO | EV5 | | 16 | 16 | 16 | 16 | 8.8 | 8.9 | mA |
| Master | SCO | HV1 | | 39 | 41 | 39 | 42 | 22 | 23 | mA |
| Master | SCO | HV3 | | 21 | 22 | 21 | 23 | 12 | 12 | mA |

| Role | Connection | Audio Packet Type | Description | Current | | | | | | Unit |
|--------|------------|-------------------|------------------|-----------------|-------|-----------------|-------|----------------|-------|------|
| | | | | VREGIN_L = 1.8V | | VREGIN_H = 3.2V | | VDD_CHG = 3.6V | | |
| | | | | 16MHz | 32MHz | 16MHz | 32MHz | 16MHz | 32MHz | |
| Master | SCO | HV3 | Sniff = 30ms | 21 | 22 | 21 | 22 | 12 | 12 | mA |
| Slave | ACL | | No Traffic | 15 | 15 | 15 | 16 | 8.2 | 8.2 | mA |
| Slave | ACL | | File transfer RX | 20 | 18 | 20 | 18 | 10 | 9.44 | mA |
| Slave | ACL | | Sniff = 40ms | 1.5 | 1.6 | 1.5 | 1.7 | 0.96 | 1.0 | mA |
| Slave | ACL | | Sniff = 1280ms | 0.27 | 0.27 | 0.28 | 0.28 | 0.18 | 0.18 | mA |
| Slave | eSCO | EV3 | | 25 | 25 | 25 | 25 | 13 | 14 | mA |
| Slave | eSCO | EV3 | Setting S1 | 27 | 28 | 27 | 27 | 14 | 15 | mA |
| Slave | eSCO | 2 EV3 | Setting S2 | 26 | 26 | 26 | 26 | 14 | 15 | mA |
| Slave | eSCO | 2 EV3 | Setting S3 | 23 | 24 | 23 | 24 | 13 | 13 | mA |
| Slave | eSCO | EV5 | | 21 | 22 | 22 | 22 | 12 | 12 | mA |
| Slave | SCO | HV1 | | 39 | 41 | 40 | 42 | 22 | 23 | mA |
| Slave | SCO | HV3 | | 27 | 28 | 27 | 28 | 14 | 15 | mA |
| Slave | SCO | HV3 | Sniff = 30ms | 21 | 21 | 22 | 22 | 11 | 12 | mA |

14.1 Kalimba DSP and CODEC Typical Average Current Consumption

| DSP | | Average | Unit |
|---------------------------------------|---------------|---------|---------|
| DSP core (including PM memory access) | Minimum (NOP) | 0.11 | mA/MIPS |
| | Maximum (MAC) | 0.32 | mA/MIPS |
| DSP memory access (DM1 or DM2) | | 0.08 | mA/MIPS |

14.2 Typical Peak Current at 20°C

| Device Activity / State | Typ | Unit |
|-------------------------------|-----|------|
| Peak current during cold boot | 45 | mA |
| Master TX peak current | 45 | mA |
| Master RX peak current | 45 | mA |
| Slave TX peak current | 45 | mA |
| Slave RX peak current | 45 | mA |

14.3 Conditions

Note:

Due to Advance Information status of Data Sheet results are based on BlueCore5-Multimedia Flash

- Host interface = UART
- Baud rate = 115200
- Supply = 1.8V in to VREGIN_L and VREGIN_AUDIO
- AFH switched OFF
- No audio load
- RF Output power = 0dBm
- VM OFF
- eSCO settings:
 - EV3 and EV5 = no retry
 - Setting S1 = optimised for power consumption
- Firmware build ID = 4508

15 RoHS Statement with a List of Banned Materials

15.1 RoHS Statement

BlueCore5-Multimedia Plug-n-Go where explicitly stated in this Data Sheet meets the requirements of Directive 2002/95/EC of the European Parliament and of the Council on the *Restriction of Hazardous Substance* (RoHS).

15.1.1 List of Banned Materials

The following banned substances are not present in BlueCore5-Multimedia Plug-n-Go which is compliant with RoHS:

- Cadmium
- Lead
- Mercury
- Hexavalent chromium
- PBB(Polybrominated Bi-Phenyl)
- PBDE (Polybrominated Diphenyl Ether)

In addition, BlueCore5-Multimedia Plug-n-Go is free from the following substances:

- PVC (Poly Vinyl Chloride)

16 CSR Bluetooth Software Stack

BlueCore5-Multimedia Plug-n-Go is supplied with Bluetooth v2.1 + EDR specification compliant stack firmware, which runs on the internal RISC microcontroller.

The BlueCore5-Multimedia Plug-n-Go software architecture allows Bluetooth processing and the application program to be shared in different ways between the internal RISC microcontroller and an external host processor (if any). The upper layers of the Bluetooth stack, above the *Host Controller Interface* (HCI), can be run either on-chip or on the host processor.

16.1 BlueCore HCI Stack

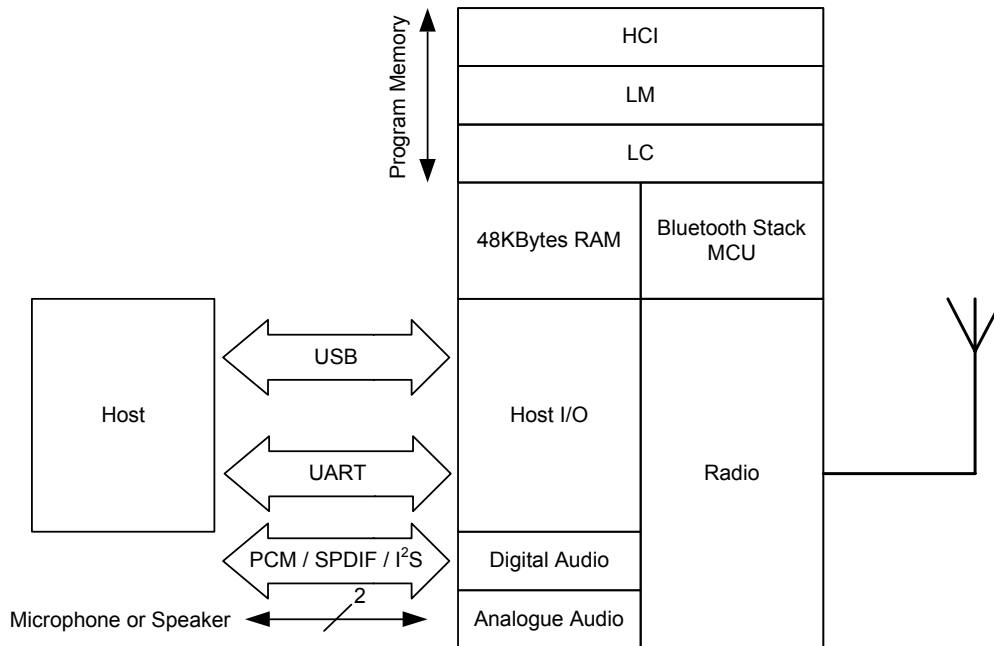


Figure 16.1: BlueCore HCI Stack

Note:

Program Memory in Figure 16.1 is internal Flash.

In the implementation shown in Section 16.1 the internal processor runs the Bluetooth stack up to the HCI. The Host processor must provide all upper layers including the application.

16.1.1 Key Features of the HCI Stack: Standard Bluetooth Functionality

CSR supports the following Bluetooth v2.1 + EDR specification functionality:

- Secure simple pairing
- Sniff subrating
- Encryption pause resume
- Packet boundary flags
- Encryption
- Extended inquiry response

As well as the following mandatory functions of Bluetooth v2.0 + EDR specification:

- *Adaptive frequency hopping* (AFH), including classifier
- Faster connection - enhanced inquiry scan (immediate FHS response)
- LMP improvements
- Parameter ranges

And optional Bluetooth v2.0 + EDR specification functionality:

- AFH as Master and Automatic Channel Classification
- Fast Connect - Interlaced Inquiry and Page Scan plus RSSI during Inquiry
- *Extended SCO* (eSCO), eV3 +CRC, eV4, eV5
- SCO handle
- Synchronisation

The firmware was written against the Bluetooth v2.1 + EDR specification:

- Bluetooth components:
 - Baseband (including LC)
 - LM
 - HCI
- Standard UART HCI Transport Layers
- All standard Bluetooth radio packet types
- Full Bluetooth data rate, enhanced data rates of 2 and 3Mbps
- Operation with up to seven active slaves³
- Scatternet v2.5 operation
- Maximum number of simultaneous active ACL connections: 7
- Maximum number of simultaneous active SCO connections: 3⁴
- Operation with up to three SCO links, routed to one or more slaves
- All standard SCO voice coding, plus transparent SCO
- Standard operating modes: Page, Inquiry, Page-Scan and Inquiry-Scan
- All standard pairing, authentication, link key and encryption operations
- Standard Bluetooth power saving mechanisms: Hold, Sniff and Park modes, including Forced Hold
- Dynamic control of peers' transmit power via LMP
- Master/Slave switch
- Broadcast
- Channel quality driven data rate
- All standard Bluetooth test modes

³ This is the maximum allowed by Bluetooth v2.1 + EDR specification.

⁴ BlueCore5-Multimedia Plug-n-Go supports all combinations of active ACL and SCO channels for both master and slave operation, as specified by the Bluetooth v2.1 + EDR specification.

16.1.2 Key Features of the HCI Stack: Extra Functionality

The firmware extends the standard Bluetooth functionality with the following features:

- Supports *BlueCore Serial Protocol* (BCSP), a proprietary, reliable alternative to the standard Bluetooth UART Host Transport
- Supports *H4 Deep Sleep* (H4DS), a proprietary alternative to the standard Bluetooth UART Host Transport, supporting Deep Sleep for low-power applications
- Provides a set of approximately 50 manufacturer-specific HCI extension commands. This command set, called *BlueCore Command* (BCCMD), provides:
 - Access to BlueCore5-Multimedia Plug-n-Go general-purpose PIO port
 - The negotiated effective encryption key length on established Bluetooth links
 - Access to the firmware random number generator
 - Controls to set the default and maximum transmit powers; these can help minimise interference between overlapping, fixed-location piconets
 - Dynamic UART configuration
 - Bluetooth radio transmitter enable/disable. A simple command connects to a dedicated hardware switch that determines whether the radio can transmit.
- The firmware can read the voltage on a pair of BlueCore5-Multimedia Plug-n-Go external pins. This is normally used to build a battery monitor
- A block of BCCMD commands provides access to the BlueCore5-Multimedia Plug-n-Go *Persistent Store* (PS) configuration database. The database sets the BlueCore5-Multimedia Plug-n-Go Bluetooth address, Class of Device, Bluetooth radio (transmit class) configuration, SCO routing, *link manager* (LM), etc.
- A UART break condition can be used in three ways:
 - Presenting a UART break condition to the chip can force the chip to perform a hardware reboot
 - Presenting a break condition at boot time can hold the chip in a low power state, preventing normal initialisation while the condition exists
 - With BCSP, the firmware can be configured to send a break to the host before sending data. (This is normally used to wake the host from a Deep Sleep state.)
- A block of Bluetooth radio test or BIST commands allows direct control of the BlueCore5-Multimedia Plug-n-Go radio. This aids the development of modules' radio designs, and can be used to support Bluetooth qualification.
- Hardware low power modes: Shallow Sleep and Deep Sleep. The chip drops into modes that significantly reduce power consumption when the software goes idle.
- SCO channels are normally routed via HCI (over BCSP). However, up to three SCO channels can be routed over the PCM interface (at the same time as routing any remaining SCO channels over HCI).

Note:

Always refer to the Firmware Release Note for the specific functionality of a particular build.

16.2 Host-Side Software

BlueCore5-Multimedia Plug-n-Go can be ordered with companion host-side software:

- BlueCore5-PC includes software for a full Windows 98/ME, Windows 2000 or Windows XP Bluetooth host-side stack together with IC hardware described in this document.
- BlueCore5-Mobile includes software for a full host-side stack designed for modern ARM chip-based mobile handsets together with IC hardware described in this document.

16.3 CSR Development Systems

CSR's BlueLab Multimedia and BlueTunes (BTN-002-2A) development kits are available to allow the evaluation of the BlueCore5-Multimedia Plug-n-Go hardware and software, and as toolkits for developing on-chip and host software.

16.4 eXtension

A wide range of software options is available from 3rd parties through the CSR eXtension partner program, see <http://www.csr.com/eXtension>.



17 Ordering Information

| Interface Version | Package | | | Order Number |
|-------------------|-----------------------------|---------------------------------|-----------------|---------------------------------|
| | Type | Size | Shipment Method | |
| UART and USB | LFBGA 105-ball (Pb free) | 10 x 10 x 1.6mm, 0.8mm pitch | Tape and reel | BC57G687C-INN-E4 ^(a) |

^(a) Until BC57G687C reaches **Production** status, engineering samples order number applies. This is BC57G687C-ES-INN-E4, with no minimum order quantity.

Note:

At **Production** status **Minimum Order Quantity** is 2kpcs taped and reeled.

17.1 Tape and Reel Information

For tape and reel packing and labelling see *IC Packing and Labelling Specification*.

17.1.1 Tape Orientation

The general orientation of the LFBGA in the tape is as shown in Figure 17.1.

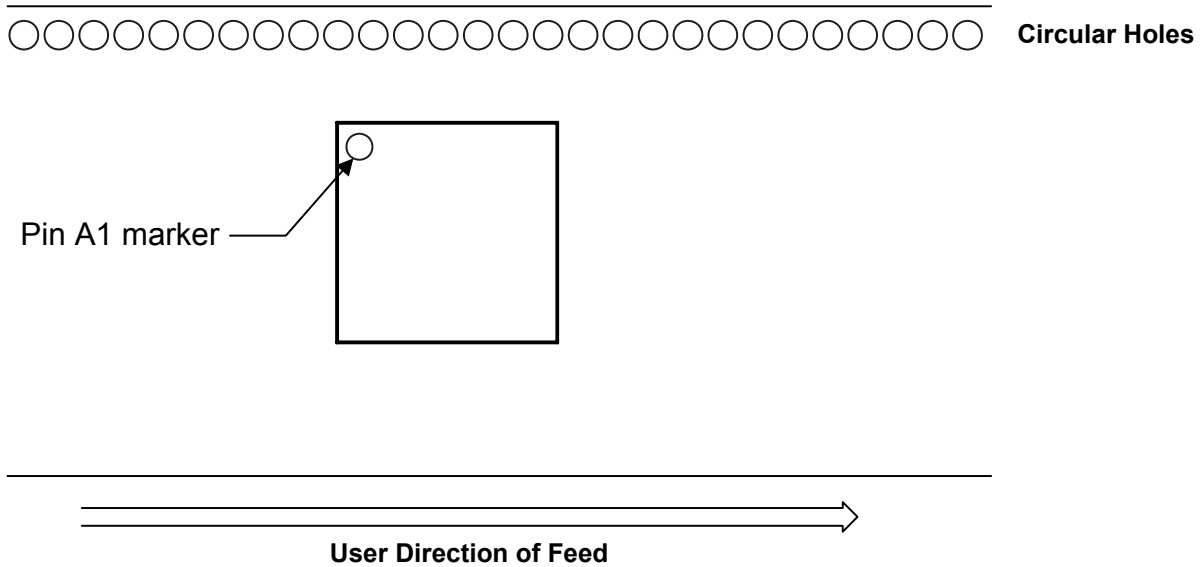
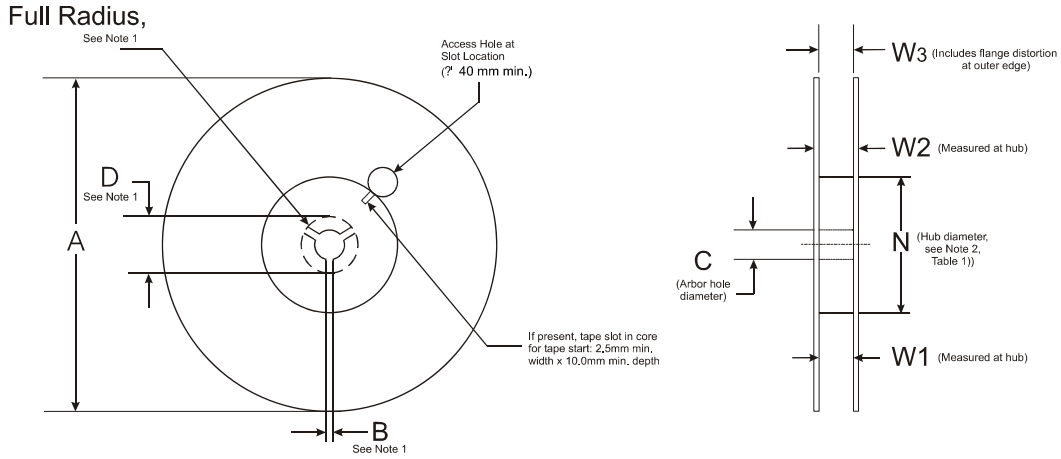


Figure 17.1: Tape and Reel Orientation

17.1.2 Reel Information

Reel dimensions
(All dimensions in millimeters)



Notes:
1. Drive spokes optional; if used, dimensions B and D shall apply.
2. Maximum weight of reel and contents 13.6kg.

Figure 17.2: Reel Dimensions

| Package Type | Tape Width | A Max | B | C | D Min | N Min | W1 | W2 Max | W3 | | Units |
|-----------------------|------------|-------|-----|------------------|-------|-------|------------------|--------|------|------|-------|
| | | | | | | | | | Min | Max | |
| 10 x 10 x 1.6mm LFBGA | 16 | 332 | 1.5 | 13.0 (+0.5/-0.2) | 20.2 | 50 | 16.4 (+2.0/-0.0) | 22.4 | 16.4 | 19.1 | mm |

17.2 Moisture Sensitivity Level (MSL)

BlueCore5-Multimedia Plug-n-Go is qualified to MSL3 in accordance with JEDEC J-STD-020.

18 Document References

| Document | Reference, Date |
|--|----------------------------------|
| <i>Core Specification of the Bluetooth System</i> | v2.1 + EDR, 26 July 2007 |
| <i>Test Suite Structure (TSS) and Test Purposes (TP) System Specification 1.2/2.0/2.0 + EDR/ 2.1/2.1 + EDR</i> | RF.TS/2.1.E.0, 27 December 2006 |
| <i>Universal Serial Bus Specification</i> | v2.0, 27 April 2000 |
| <i>Selection of I²C EEPROMS for Use with BlueCore</i> | bcore-an-008P, 30 September 2003 |
| <i>IC Packing and Labelling Specification</i> | CS-112584-SPP, January 2007 |
| <i>Moisture / Reflow Sensitivity Classification for Nonhermitic Solid State Surface Mount Devices</i> | IPC / JEDEC J-STD-020 |
| <i>Electrostatic Discharge (ESD) Sensitivity Testing Human Body Model (HBM)</i> | JESD22-A114 |
| <i>BlueCore5-Multimedia Plug-n-Go Performance Specification</i> | CS-118838-SP, DEC 2008 |
| <i>BlueCore5 Charger Description and Calibration Procedure Application Note</i> | CS-113282-ANP, 2007 |
| <i>BlueCore5-Multimedia External Recommendations for ESD Protection</i> | CS-114058-ANP, 2007 |
| <i>Typical Solder Reflow Profile for Lead-free Device</i> | CS-116434-ANP, 2007 |
| <i>Bluetooth and IEEE 802.11 b/g Co-existence Solutions Overview</i> | bcore-an-066P, May 2005 |
| <i>Optimising BlueCore5-Multimedia ADC Performance Application Note</i> | CS-120059-AN, 2008 |

Terms and Definitions

| Term | Definition |
|------------------|--|
| 802.11 | WLAN specification defined by a working group within the IEEE |
| ADC | Analogue to Digital Converter |
| AFC | Automatic Frequency Control |
| AFH | Adaptive Frequency Hopping |
| AGC | Automatic Gain Control |
| ALU | Arithmetic logic unit |
| BCCMD | BlueCore Command |
| BCSP | BlueCore Serial Protocol |
| BGA | Ball Grid Array |
| BIST | Built-In Self Test |
| BlueCore® | Group term for CSR's range of Bluetooth wireless technology chips |
| Bluetooth® | Set of technologies providing audio and data transfer over short-range radio connections |
| BMC | Burst Mode Controller |
| CDMA | Code Division Multiple Access |
| codec | Coder decoder |
| CRC | Cyclic Redundancy Check |
| CSR | Cambridge Silicon Radio |
| CVSD | Continuous Variable Slope Delta Modulation |
| DAC | Digital to Analogue Converter or Device Access Code |
| DC | Direct Current |
| DDS | Direct Digital Synthesis |
| DSP | Digital Signal Processor |
| EDR | Enhanced Data Rate |
| eSCO | Extended SCO |
| ESD | Electro-Static Discharge |
| ESR | Equivalent Series Resistance |
| FHS | Frequency Hop Synchronisation |
| FSK | Frequency Shift Keying |
| GCI | General Circuit Interface |
| GFSK | Gaussian Frequency Shift Keying |
| GSM | Global System for Mobile communications |
| H4DS | H4 Deep Sleep |
| HBM | Human Body Model |
| HCI | Host Controller Interface |
| IIR | Infinite Impulse Response (filter) |
| I/O | Input/Output |
| I ² C | Inter-Integrated Circuit |
| I ² S | Inter-Integrated Circuit Sound |
| IC | Integrated Circuit |
| IEEE | Institute of Electronic and Electrical Engineers |
| IF | Intermediate Frequency |

| Term | Definition |
|------------|---|
| JEDEC | Joint Electron Device Engineering Council (now the JEDEC Solid State Technology Association) |
| LCD | Liquid-Crystal Display |
| LED | Light Emitting Diode |
| LJ | Left-Justified |
| LM | Link Manager |
| LMP | Link Manager Protocol |
| LNA | Low Noise Amplifier |
| LSB | Least-Significant Bit |
| MAC | Medium Access Control |
| MCU | Micro Controller Unit |
| MIPS | Million Instructions Per Second |
| MMU | Memory Management Unit |
| NSMD | Non Solder Mask Defined |
| PA | Power Amplifier |
| PBB | (Polybrominated Bi-Phenyl) |
| PBDE | Polybrominated Diphenyl Ether |
| PCM | Pulse Code Modulation |
| PIO | Programmable Input Output |
| Plug-n-Go® | CSR IC with RF matching components (including balun) within the package |
| PS | Persistent Store |
| PVC | Poly Vinyl Chloride |
| RAM | Random Access Memory |
| RF | Radio Frequency |
| RISC | Reduced Instruction Set Computer |
| RJ | Right-Justified |
| RoHS | The Restriction of Hazardous Substances in Electrical and Electronic Equipment Directive (2002/95/EC) |
| RSSI | Received Signal Strength Indication |
| RX | Receive or Receiver |
| SBC | Sub-band Coding |
| SCO | Synchronous Connection-Oriented |
| SNR | Signal-to-Noise Ratio |
| SPI | Serial Peripheral Interface |
| SPDIF | Sony/Philips Digital InterFace (also IEC 958 type II, part of IEC-60958). An interface designed to transfer stereo digital audio signals between various devices and stereo components with minimal loss. |
| TCXO | Temperature Compensated crystal Oscillator |
| TP | Test Purposes |
| TSS | Test Suite Structure |
| TX | Transmit or Transmitter |
| UART | Universal Asynchronous Receiver Transmitter |

| Term | Definition |
|--------|--|
| USB | Universal Serial Bus |
| VCO | Voltage Controlled Oscillator |
| VM | Virtual Machine |
| VoIP | Voice over Internet Protocol |
| W-CDMA | Wideband Code Division Multiple Access |
| WCS | Wireless Co-existence System |